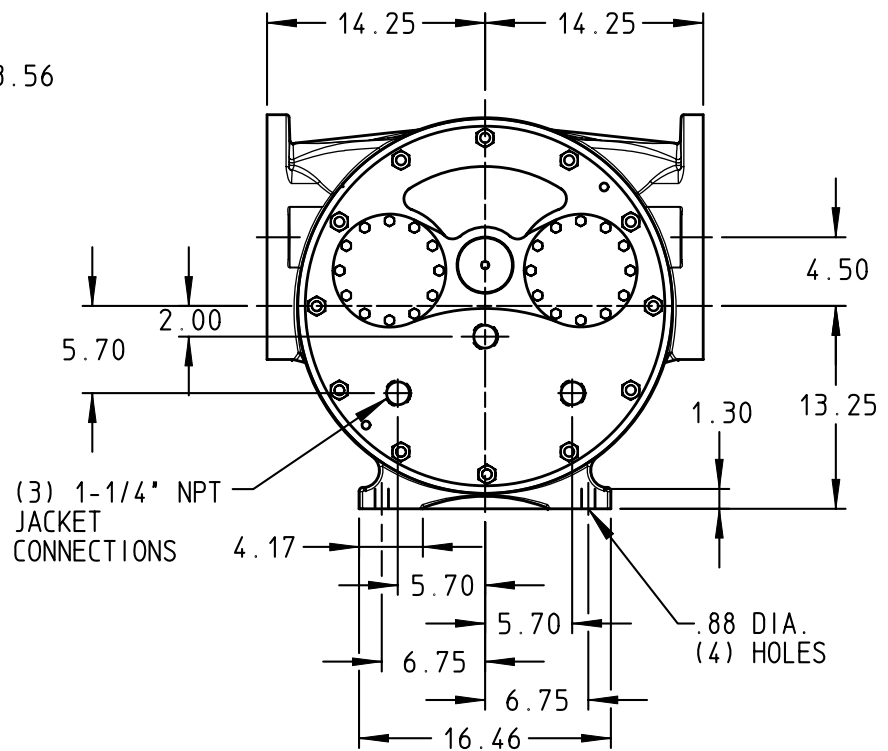
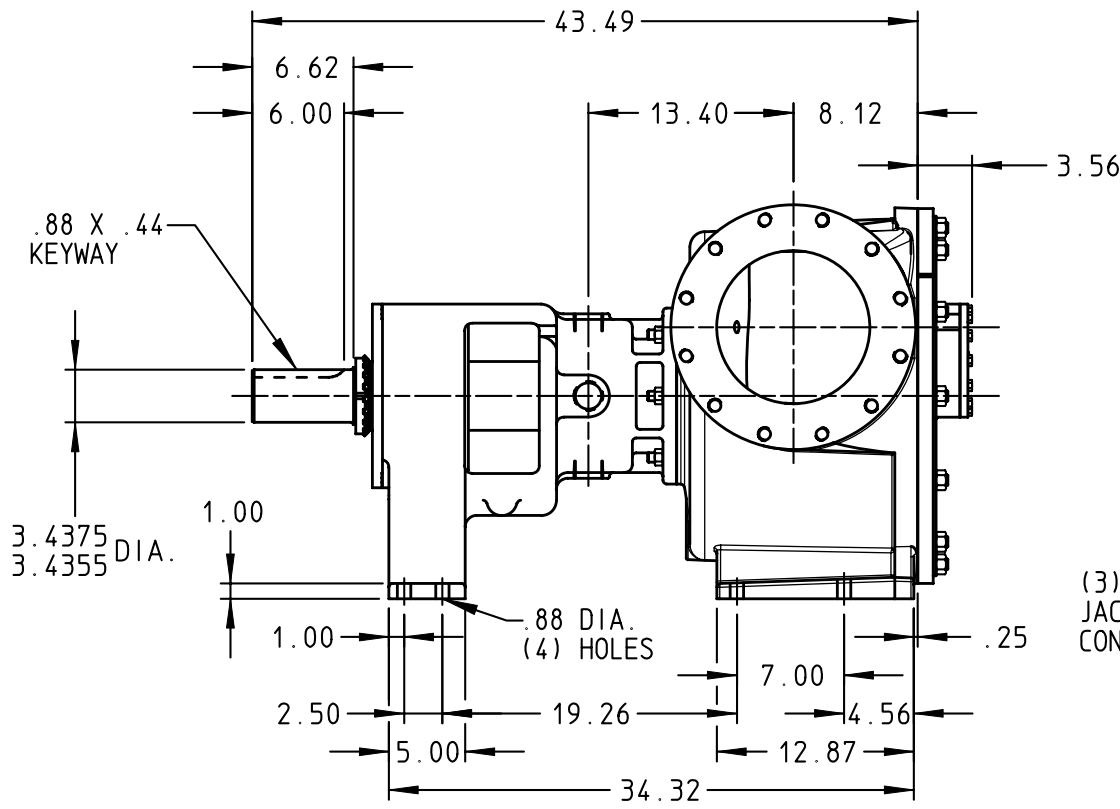


PORTS: 10" FLANGES WITH STUDS AND NUTS (NOT SHOWN) SUITABLE FOR USE WITH 125# ANSI FLANGES



STANDARD MODELS: RS324A, RS4324A

NOTE: FOOT WIDTH DIMENSIONS ARE THE SAME FOR BOTH CASING & BRACKET

DRAWN PIERCE DATE 13 JUL 2007
 CHECKED CJI DATE 18 JUL 2007

THIS DRAWING IS THE PROPERTY OF VIKING PUMP INC. AND IS PROPRIETARY IN GENERAL AND DETAIL. IT SHALL NOT BE COPIED OR ITS CONTENTS REVEALED TO OUTSIDE PARTIES WITHOUT THE WRITTEN CONSENT OF VIKING PUMP INC.



VIKING PUMP, INC.
 A Unit of IDEX Corporation
 Cedar Falls, Iowa 50613
 U.S.A.

DRAWING NO.
RV-379

REV. A
 13 JUL 2007