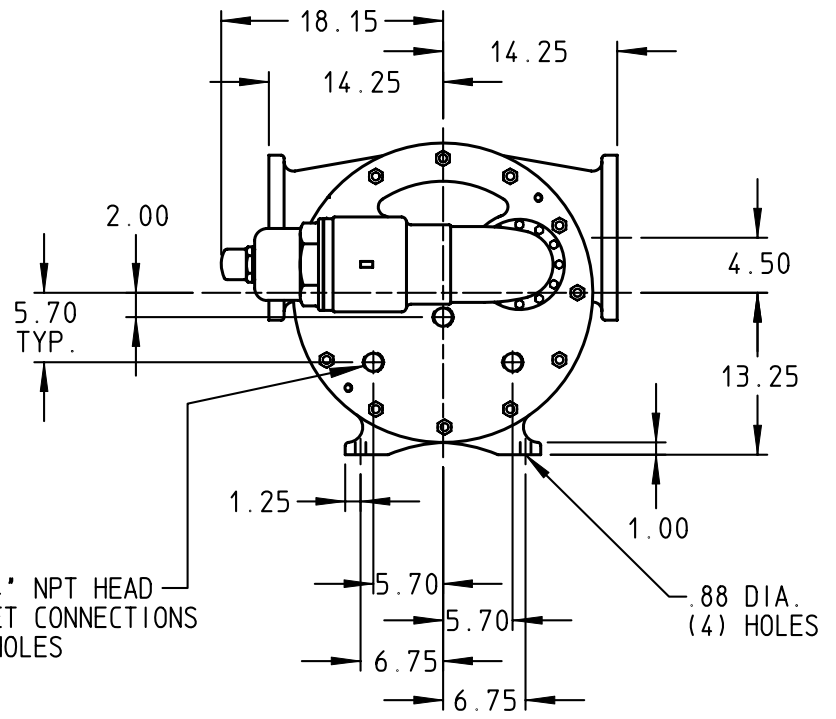
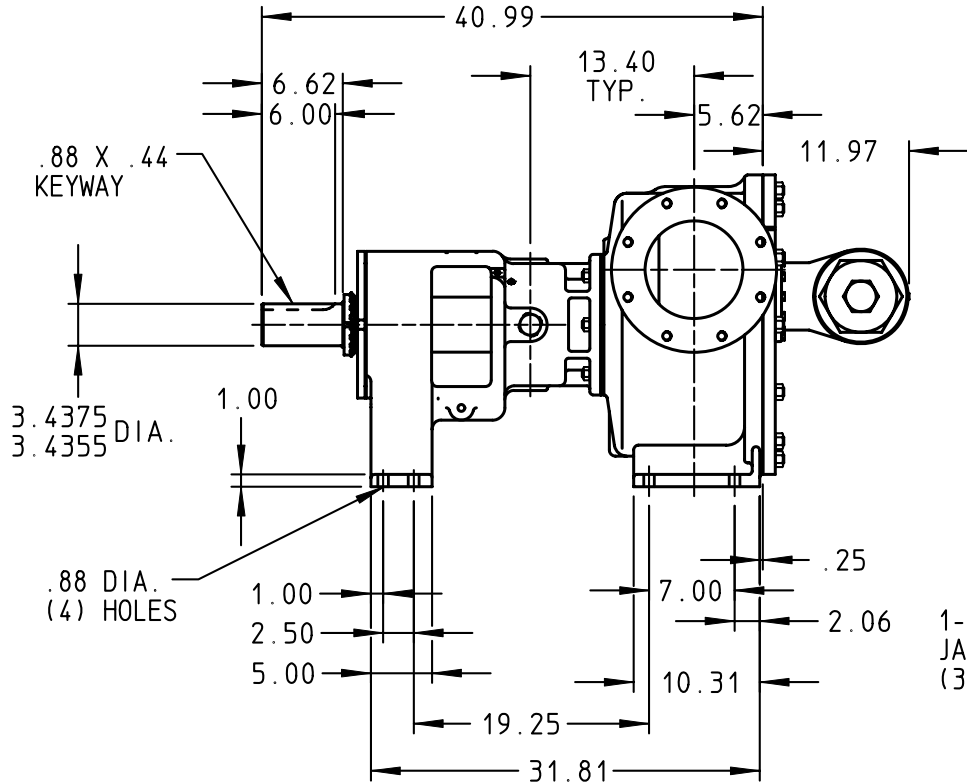
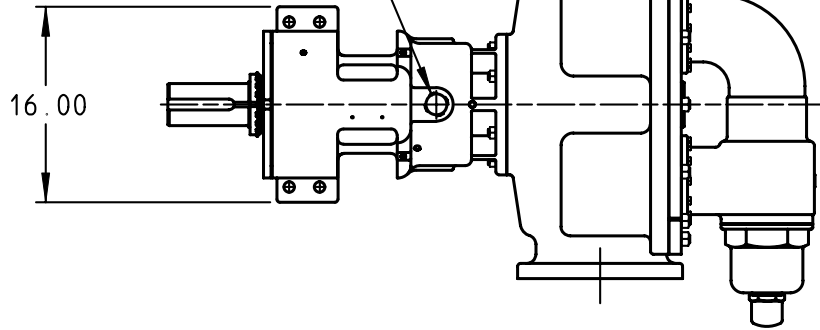


1-1/2" NPT BRACKET  
 JACKET CONNECTIONS  
 (4) HOLES

PORTS: 8" OPPOSITE FLANGES  
 WITH STUDS AND NUTS (NOT SHOWN)  
 SUITABLE FOR USE WITH  
 125# ANSI (R324A, R4324A)  
 150# ANSI (R323A, R4323A  
 R327A, R4327A)



STANDARD MODELS: R323A, R4323A, R327A, R4327A, R324A, R4324A

NOTE: FOOT DIMENSIONS ARE THE SAME FOR BOTH CASING & BRACKET

DRAWN RICH M DATE 06 JUN 2001  
 CHECKED DC DATE 06 JUN 2001

THIS DRAWING IS THE PROPERTY OF VIKING PUMP INC. AND IS PROPRIETARY IN GENERAL AND DETAIL. IT SHALL NOT BE COPIED OR ITS CONTENTS REVEALED TO OUTSIDE PARTIES WITHOUT THE WRITTEN CONSENT OF VIKING PUMP INC.

**VIKING PUMP**  
 VIKING PUMP, INC.  
 A Unit of IDEX Corporation  
 Cedar Falls, Iowa 50613  
 U.S.A.

DRAWING NO.  
**RV-351**

REV. F  
 09 MAR 2009