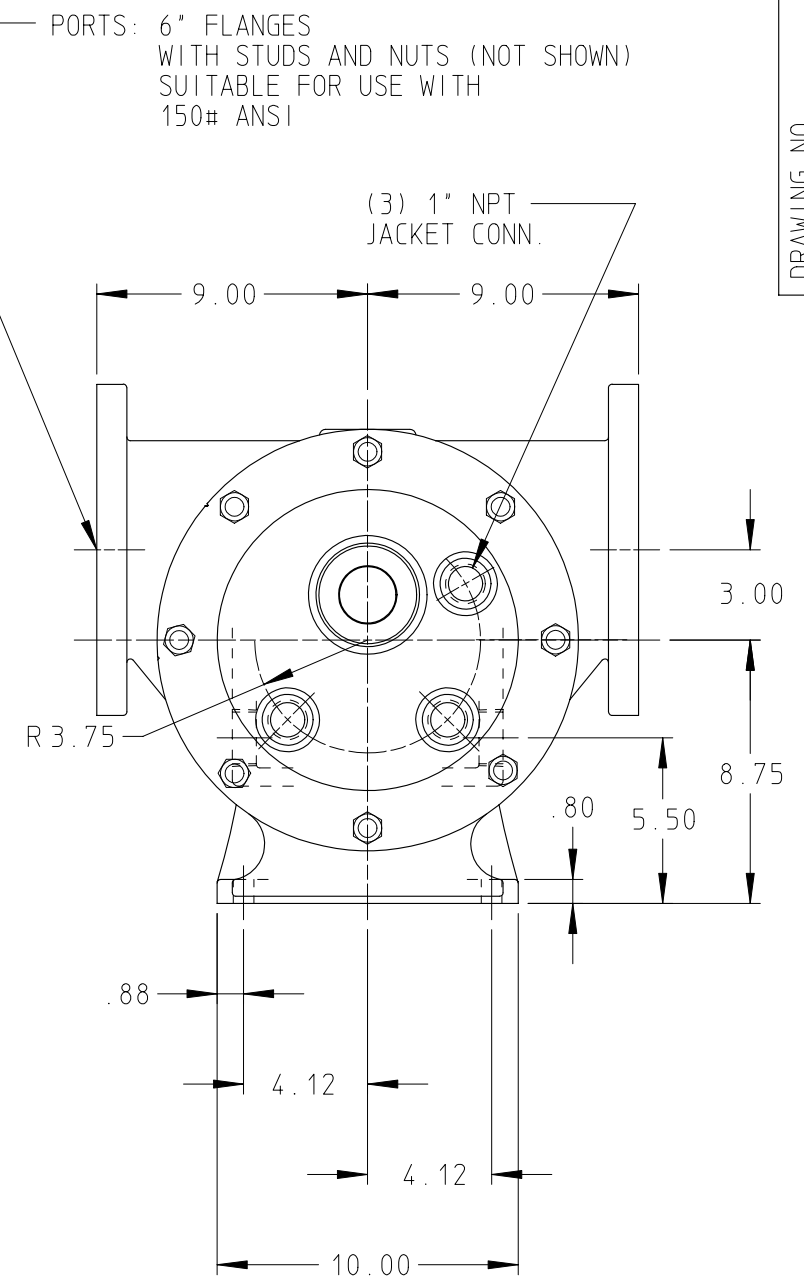
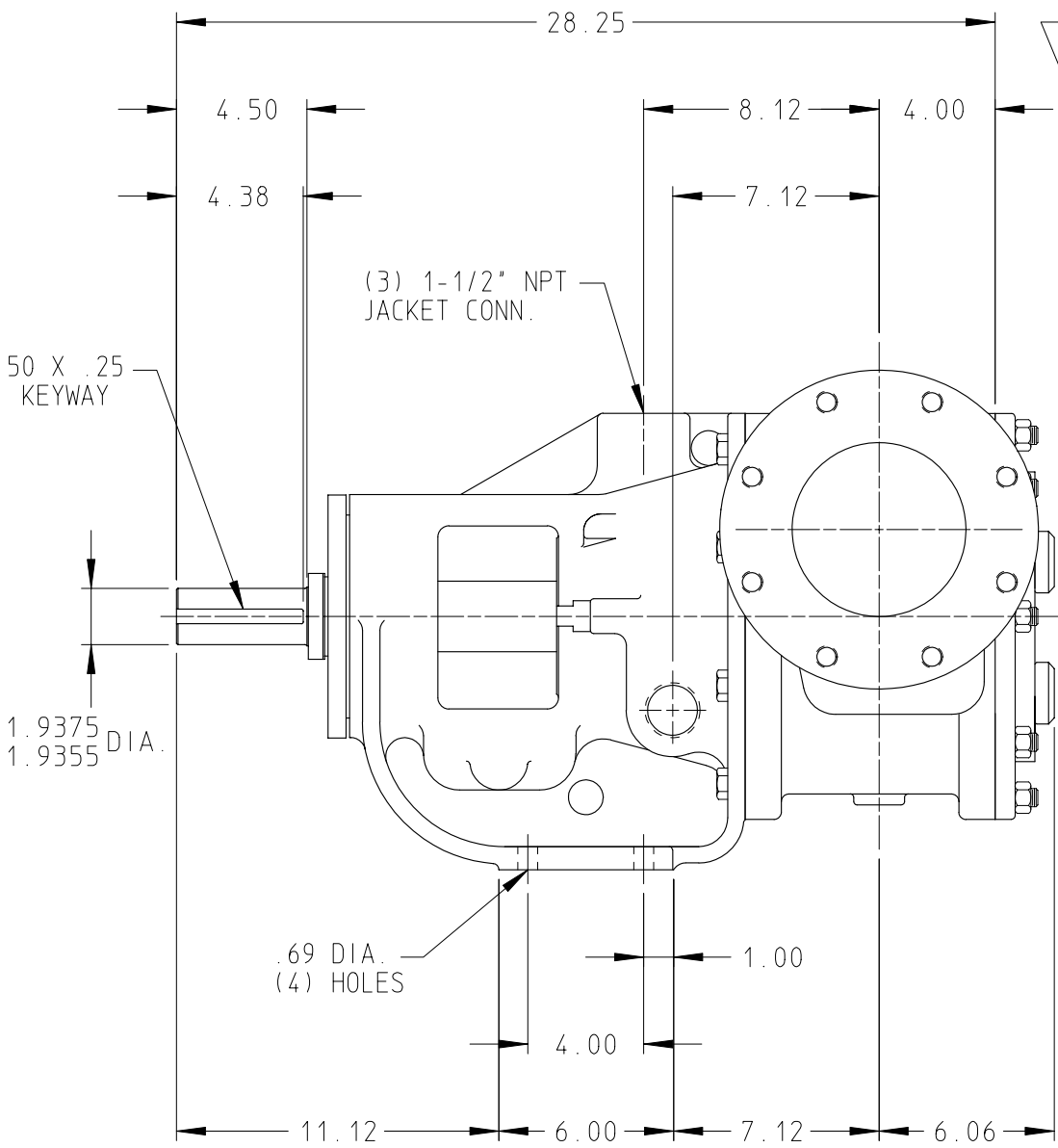


DRAWING NO.
QV-1601



STANDARD MODELS: QS223A, QS4223A, QS227A, QS4227A

DRAWN JASON DATE 26 OCT 1994
 CHECKED DC DATE 27 OCT 1994

THIS DRAWING IS THE PROPERTY OF VIKING PUMP INC. AND IS PROPRIETARY IN GENERAL AND DETAIL. IT SHALL NOT BE COPIED OR ITS CONTENTS REVEALED TO OUTSIDE PARTIES WITHOUT THE WRITTEN CONSENT OF VIKING PUMP INC.

VIKING PUMP
 VIKING PUMP, INC.
 A Unit of IDEX Corporation
 Cedar Falls, Iowa 50613
 U.S.A.

DRAWING NO.
QV-1601

REV. C
 26 SEP 2003