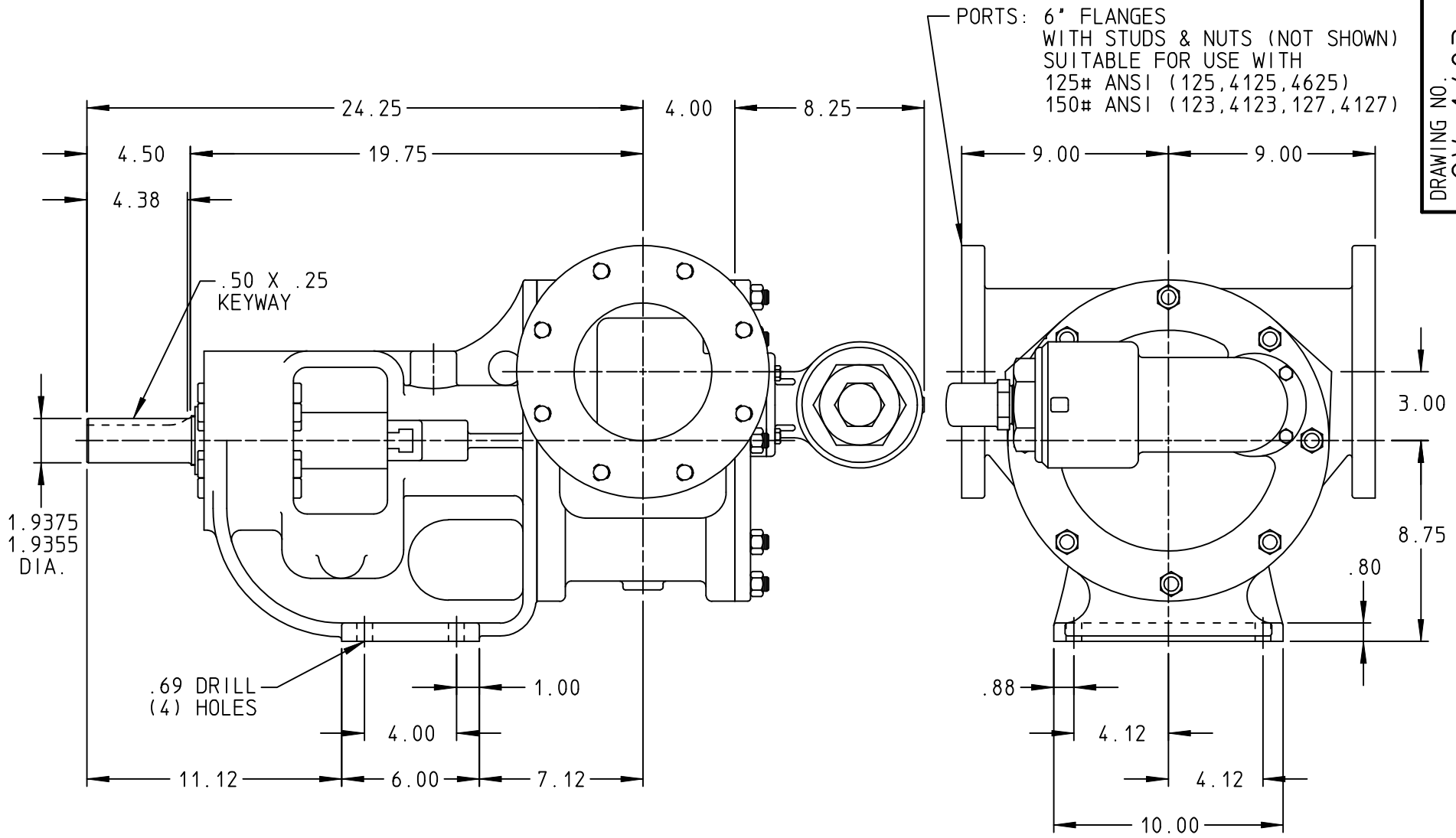


DRAWING NO.  
**QV-1483**



STANDARD MODELS: QS125, QS4125, QS123, QS4123, QS127, QS4127, QS4625

DRAWN RICH M DATE 22 DEC 2000  
 CHECKED DRS DATE 16 JAN 2001

THIS DRAWING IS THE PROPERTY OF VIKING PUMP  
 INC. AND IS PROPRIETARY IN GENERAL AND DETAIL.  
 IT SHALL NOT BE COPIED OR ITS CONTENTS  
 REVEALED TO OUTSIDE PARTIES WITHOUT THE  
 WRITTEN CONSENT OF VIKING PUMP INC.



VIKING PUMP, INC.  
 A Unit of IDEX Corporation  
 Cedar Falls, Iowa 50613  
 U.S.A.

DRAWING NO.  
**QV-1483**

REV. A  
 22 DEC 2000