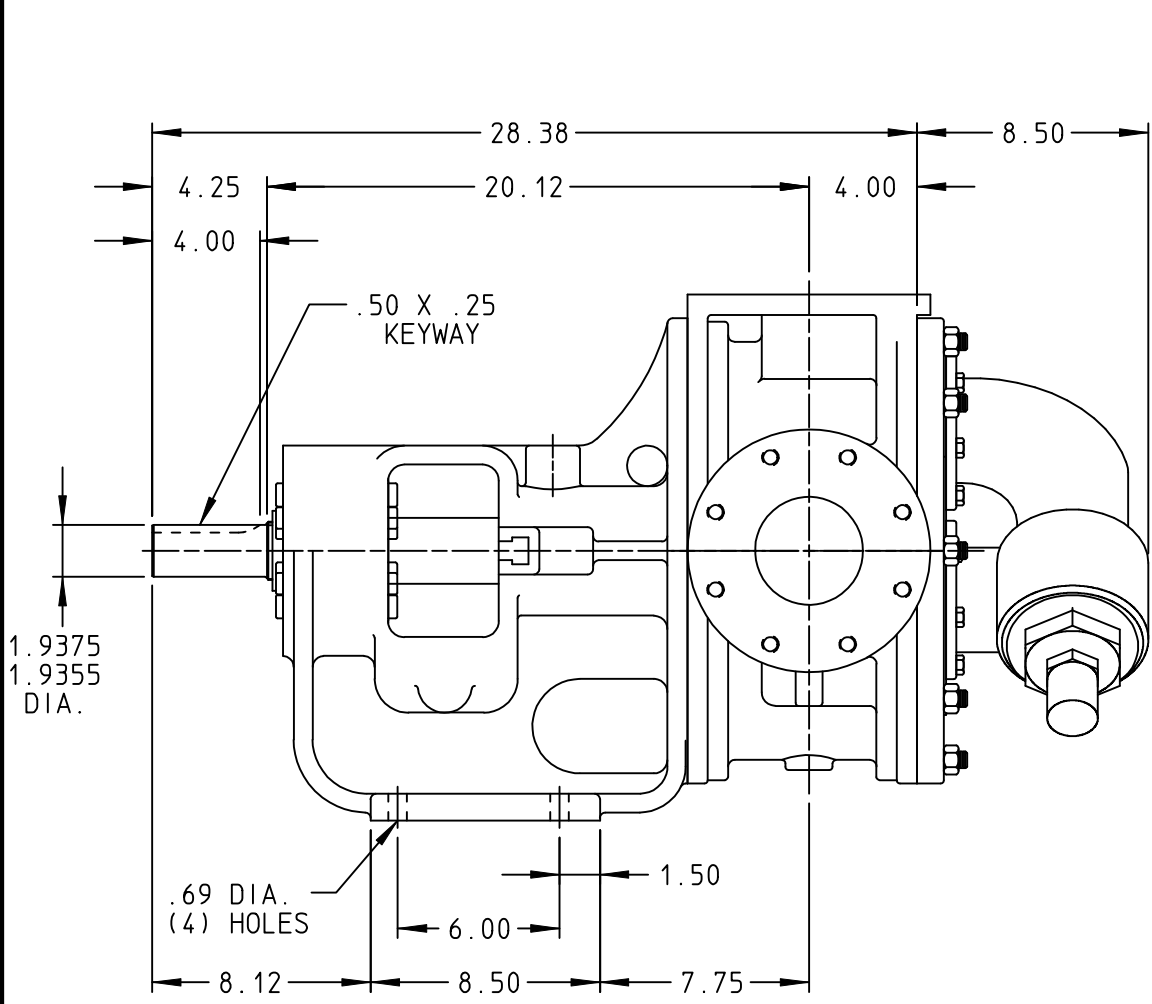
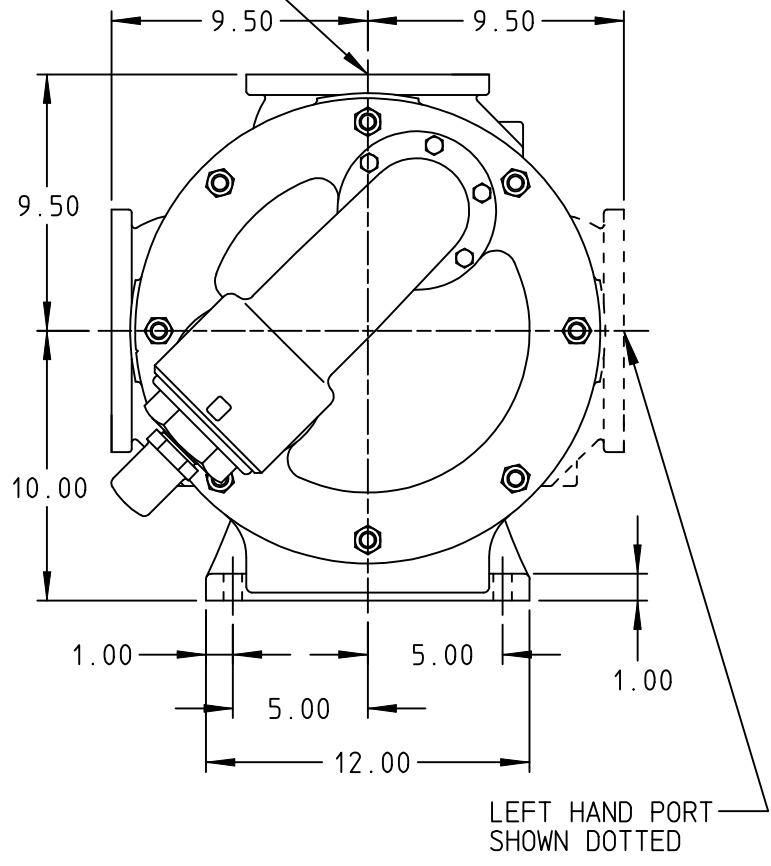


DRAWING NO.
MV-1053



PORTS: 4" FLANGES
WITH STUDS & NUTS (NOT SHOWN)
SUITABLE FOR USE WITH
125# ANSI (125, 4125, 4625)
150# ANSI (123, 4123)
(127, 4127)



STANDARD MODELS: M125, M4125, M123, M4123, M127, M4127, M4625

DRAWN RICH M DATE 2 JAN 2001
CHECKED DRS DATE 09 JAN 2001

THIS DRAWING IS THE PROPERTY OF VIKING PUMP INC. AND IS PROPRIETARY IN GENERAL AND DETAIL. IT SHALL NOT BE COPIED OR ITS CONTENTS REVEALED TO OUTSIDE PARTIES WITHOUT THE WRITTEN CONSENT OF VIKING PUMP INC.

VIKING PUMP VIKING PUMP, INC.
A Unit of IDEX Corporation
Cedar Falls, Iowa 50613
U.S.A.

DRAWING NO.
MV-1053

REV. A
2 JAN 2001