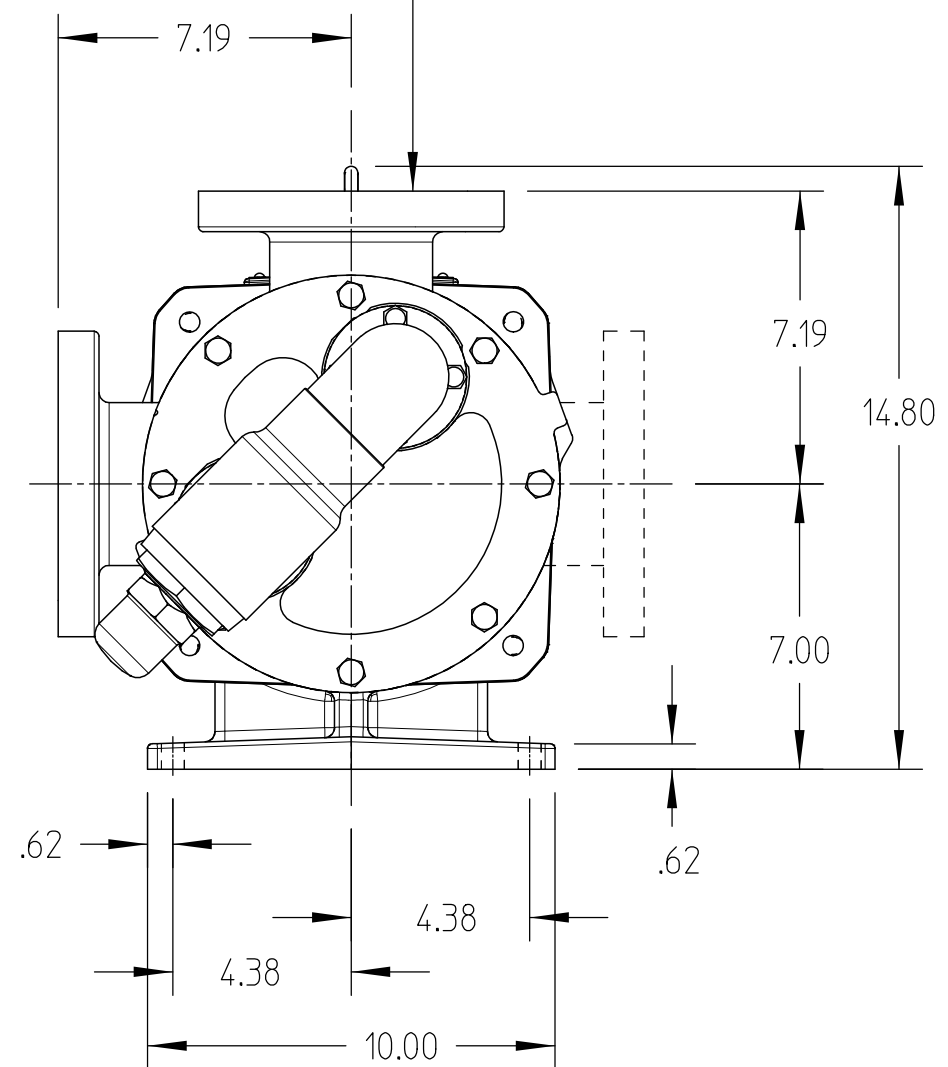
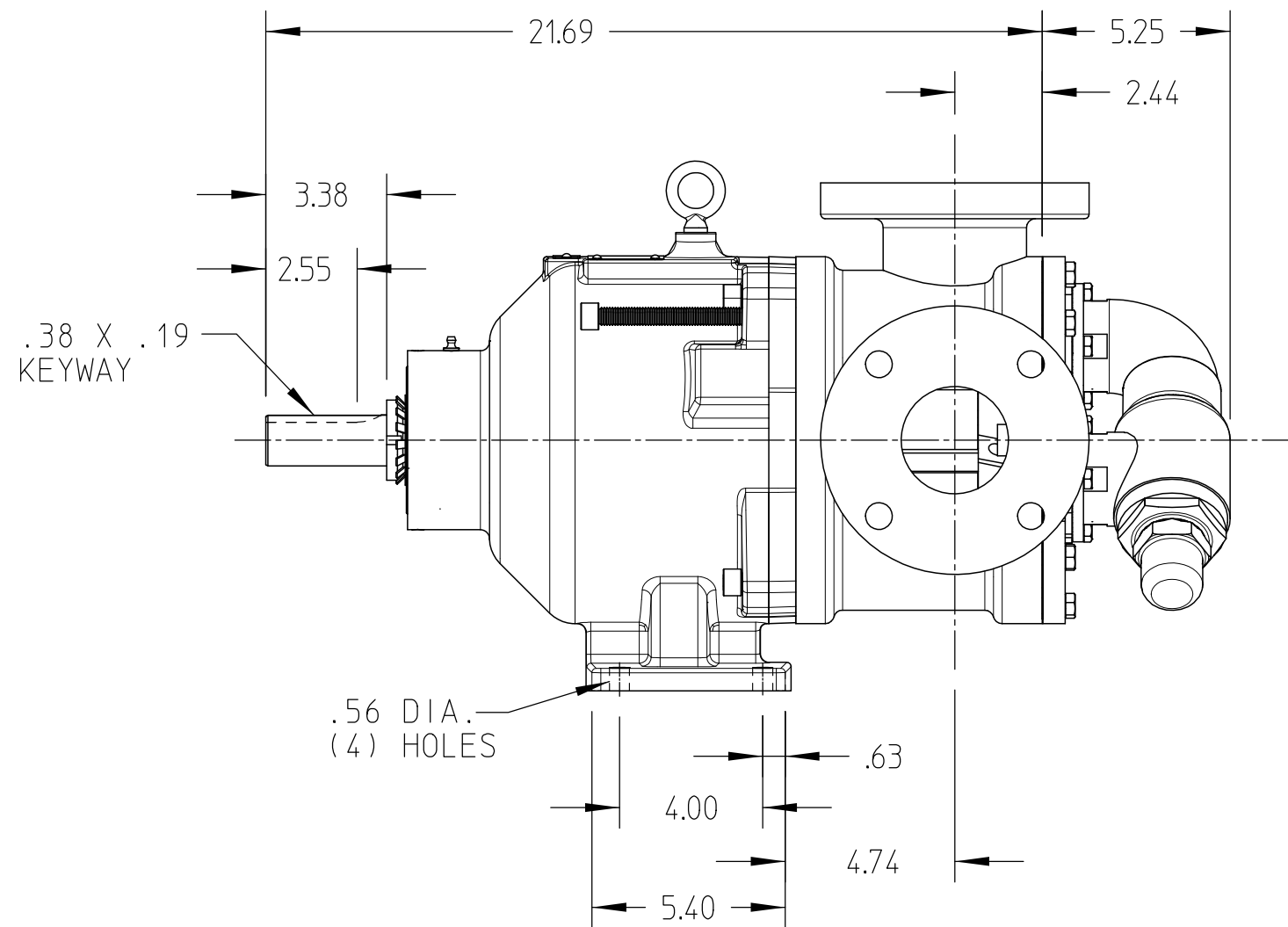


PORTS: 3" FLANGES  
SUITABLE FOR USE WITH  
125# ANSI (8124A)  
150# ANSI (8123A, 8127A)

DRAWING NO.  
LV-4038



STANDARD MODELS: LS8124A, LS8123A, LS8127A

DRAWN MILLER, S DATE 25 OCT 2007  
CHECKED SMM DATE 08 NOV 2007

THIS DRAWING IS THE PROPERTY OF VIKING PUMP INC. AND IS PROPRIETARY IN GENERAL AND DETAIL. IT SHALL NOT BE COPIED OR ITS CONTENTS REVEALED TO OUTSIDE PARTIES WITHOUT THE WRITTEN CONSENT OF VIKING PUMP INC.



VIKING PUMP, INC.  
A Unit of IDEX Corporation  
Cedar Falls, Iowa 50613  
U.S.A.

DRAWING NO.  
LV-4038

REV. C  
15 APR 2008