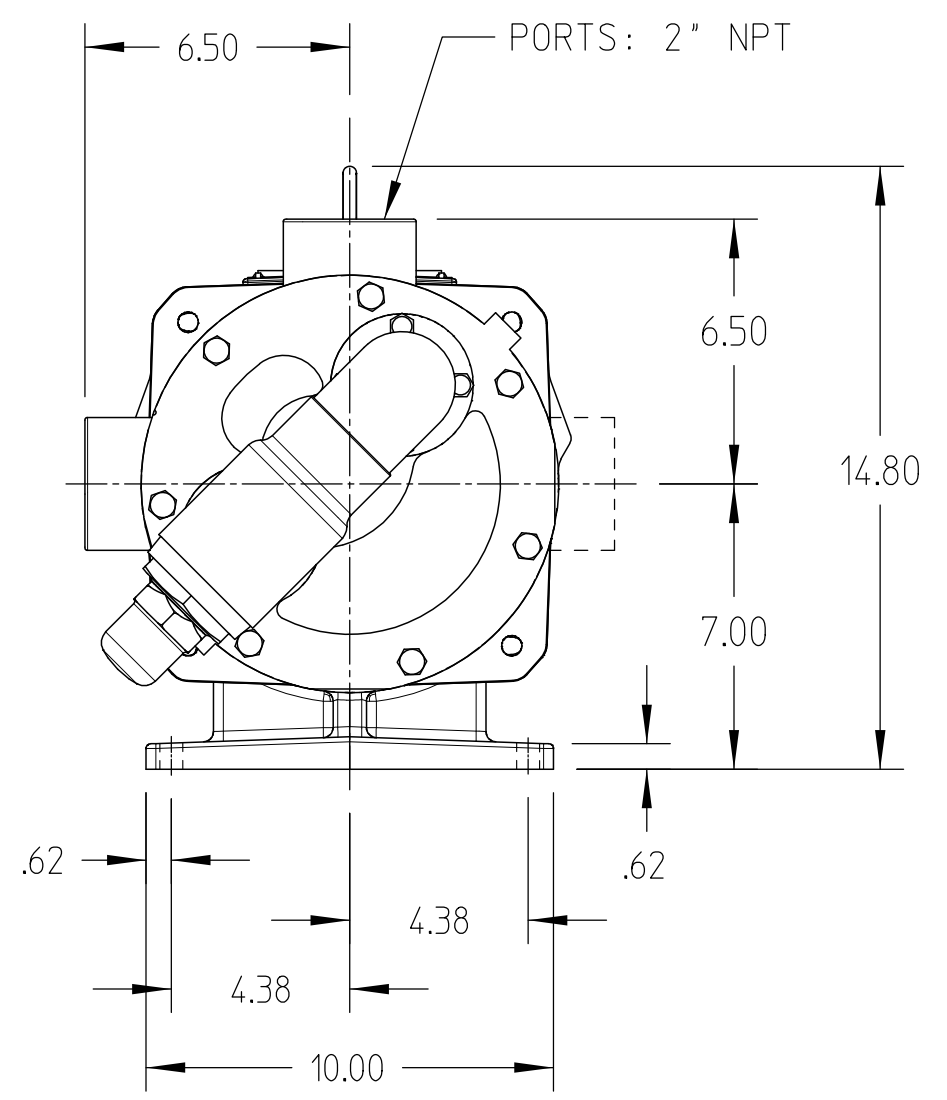
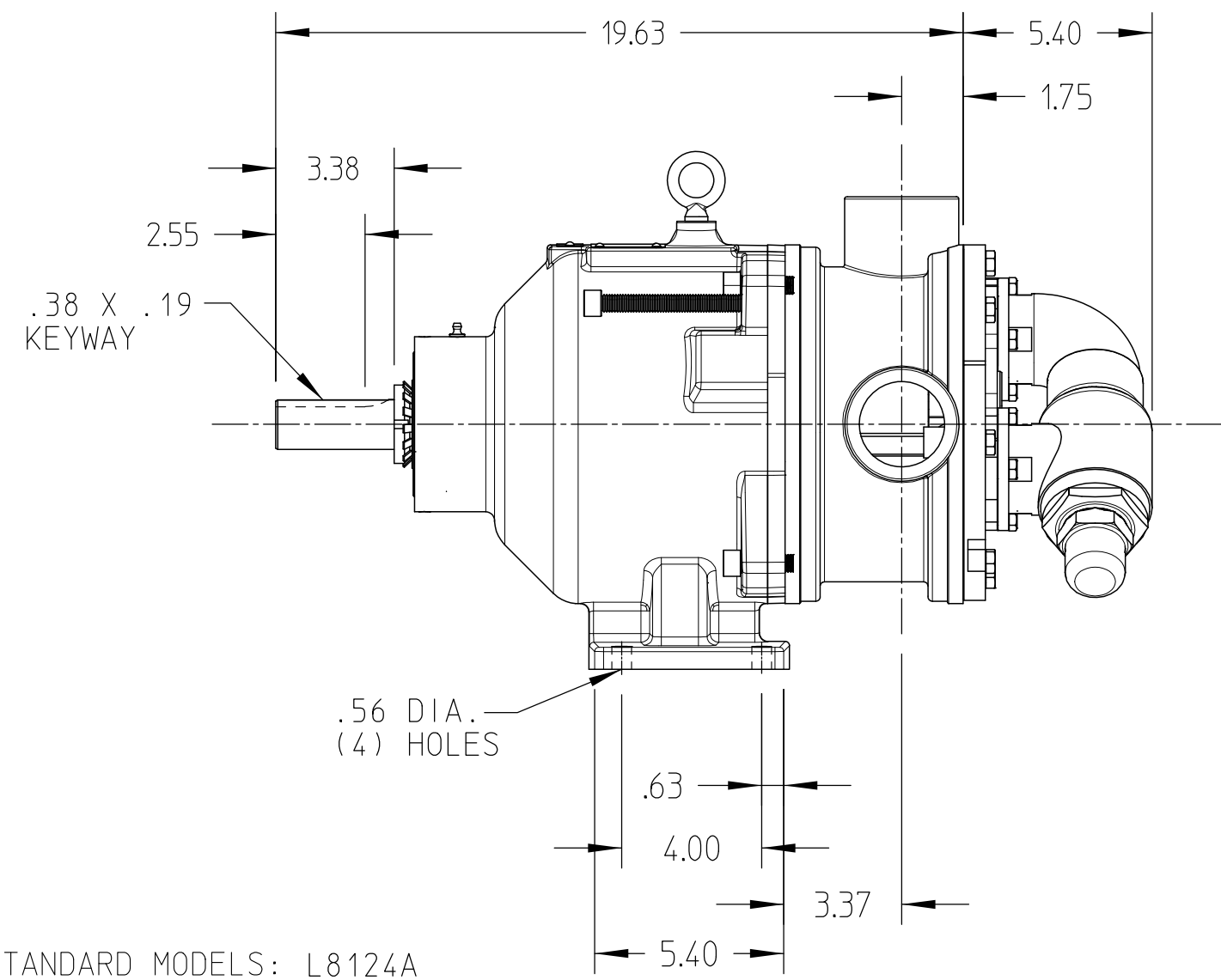


DRAWING NO.  
LV-4037



STANDARD MODELS: L8124A

DRAWN MILLER, S DATE 25 OCT 2007  
CHECKED SMM DATE 07 NOV 2007

THIS DRAWING IS THE PROPERTY OF VIKING PUMP INC. AND IS PROPRIETARY IN GENERAL AND DETAIL. IT SHALL NOT BE COPIED OR ITS CONTENTS REVEALED TO OUTSIDE PARTIES WITHOUT THE WRITTEN CONSENT OF VIKING PUMP INC.

**VIKING PUMP** VIKING PUMP, INC.  
A Unit of IDEX Corporation  
Cedar Falls, Iowa 50613  
U.S.A.

DRAWING NO.  
LV-4037

REV. B  
13 MAR 2008