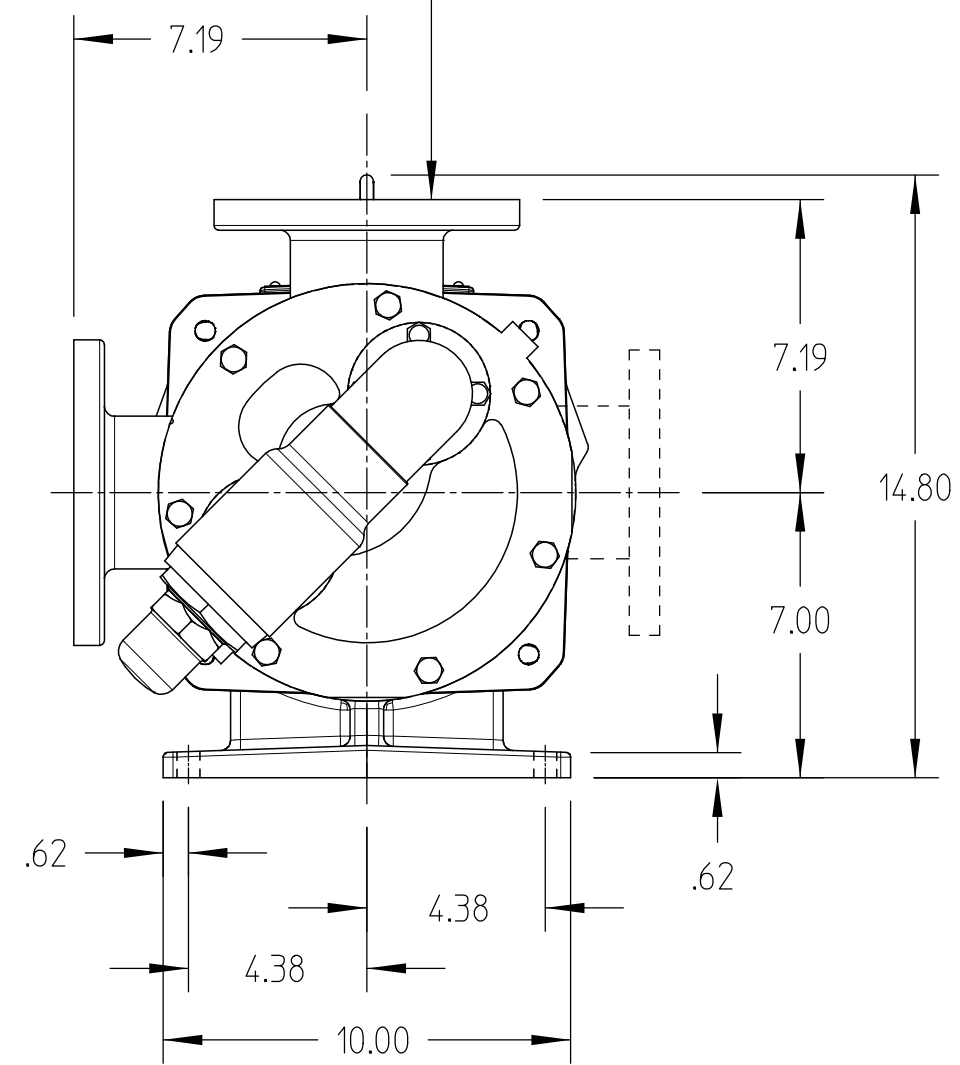


PORTS: 3" FLANGES
SUITABLE FOR USE WITH
125# ANSI (8124A)
150# ANSI (8123A, 8127A)



DRAWING NO.
LV-4036

STANDARD MODELS: LL8124A, LL8123A, LL8127A

DRAWN KROGMANN DATE 23 OCT 2007
CHECKED SMM DATE 08 NOV 2007

THIS DRAWING IS THE PROPERTY OF VIKING PUMP INC. AND IS PROPRIETARY IN GENERAL AND DETAIL. IT SHALL NOT BE COPIED OR ITS CONTENTS REVEALED TO OUTSIDE PARTIES WITHOUT THE WRITTEN CONSENT OF VIKING PUMP INC.

VIKING PUMP

VIKING PUMP, INC.
A Unit of IDEX Corporation
Cedar Falls, Iowa 50613
U.S.A.

DRAWING NO.
LV-4036

REV. D
14 APR 2008