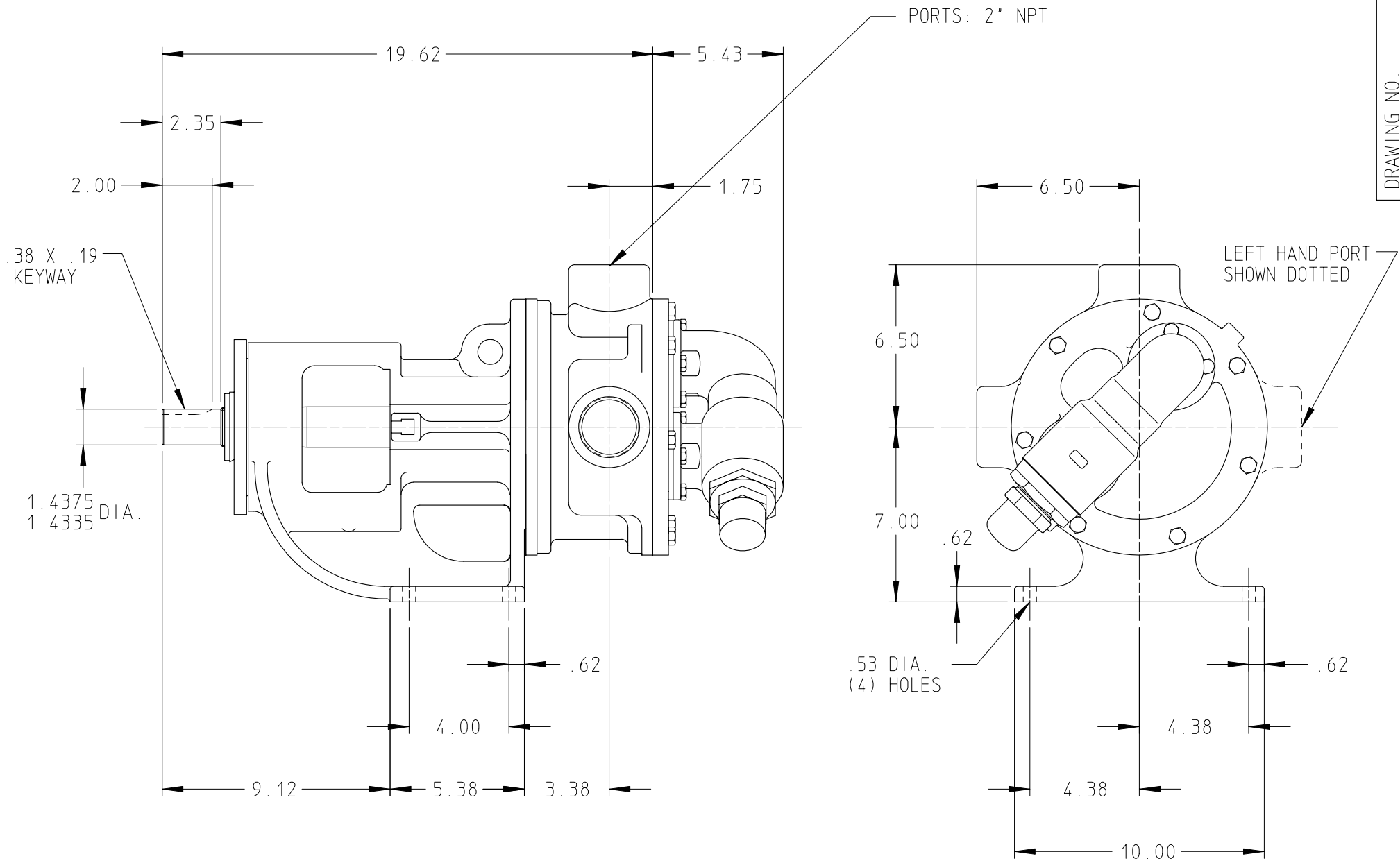


DRAWING NO.  
LV-3911



STANDARD MODELS: L124AE, L4124AE, L4124B

DRAWN WUNDERLICH DATE 13 JUN 2003  
 CHECKED SJJ DATE 13 JUN 2003

THIS DRAWING IS THE PROPERTY OF VIKING PUMP INC. AND IS PROPRIETARY IN GENERAL AND DETAIL. IT SHALL NOT BE COPIED OR ITS CONTENTS REVEALED TO OUTSIDE PARTIES WITHOUT THE WRITTEN CONSENT OF VIKING PUMP INC.



VIKING PUMP, INC.  
 A Unit of IDEX Corporation  
 Cedar Falls, Iowa 50613  
 U.S.A.

DRAWING NO.  
LV-3911

REV. A  
13 JUN 2003