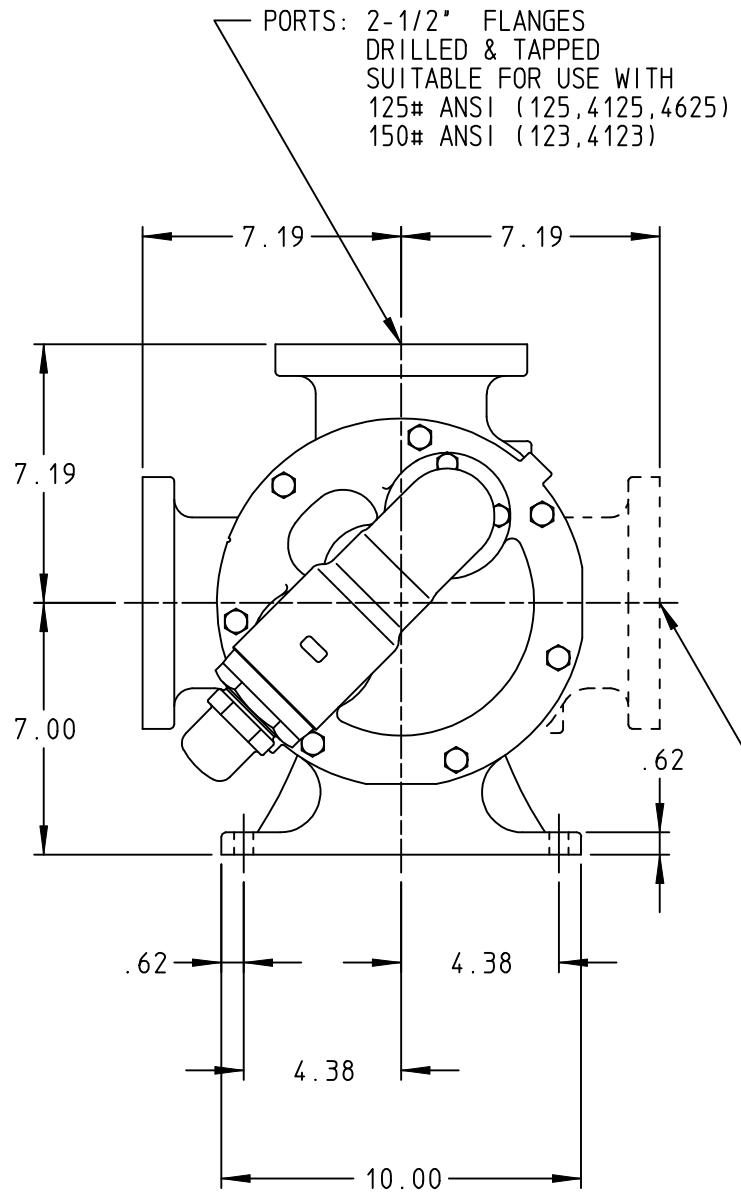
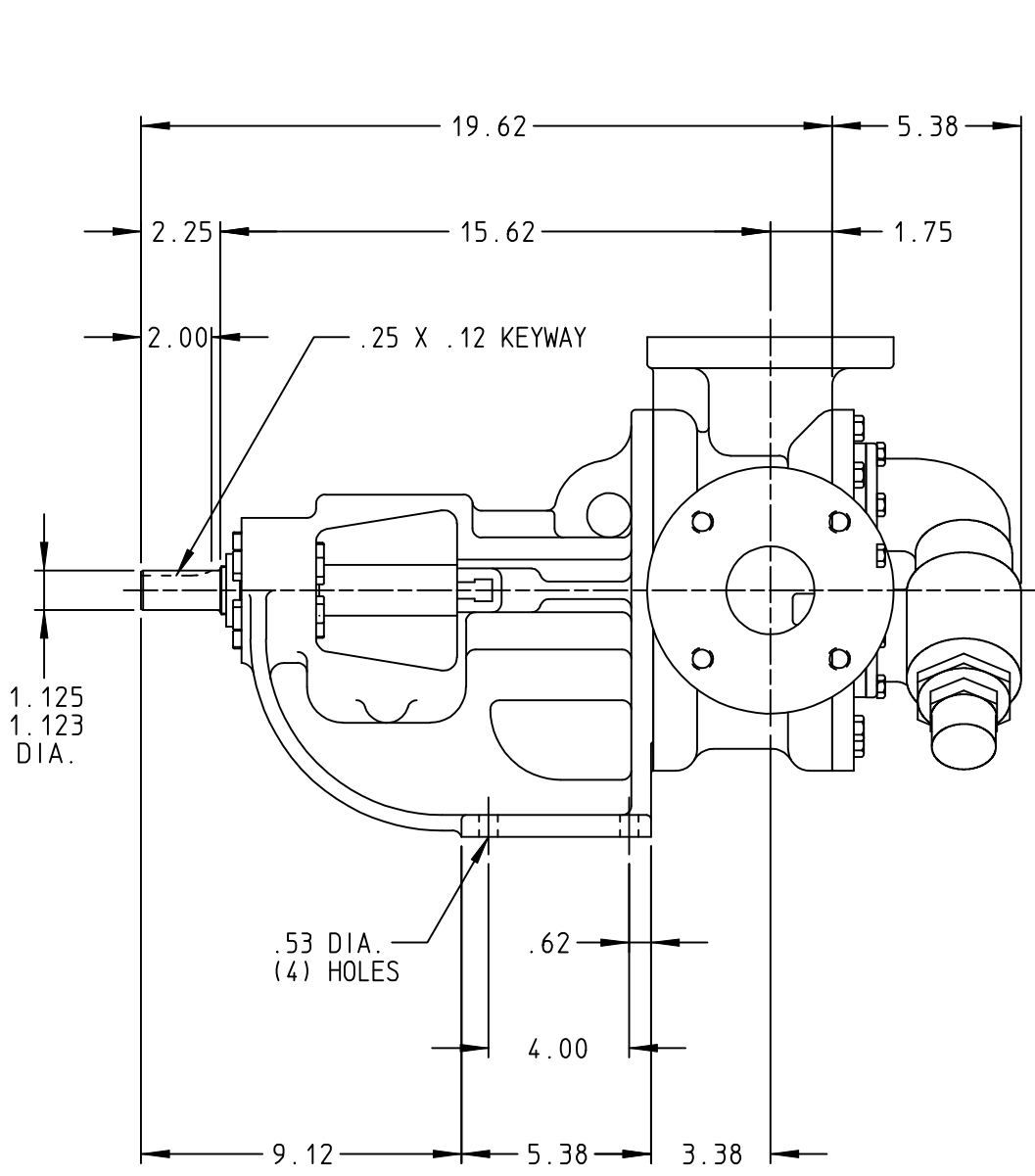


DRAWING NO.
LV-3488



LEFT HAND PORT SHOWN DOTTED

STANDARD MODELS: LQ125, LQ4125, LQ123, LQ4123, LQ4625

DRAWN JAKEL DATE 22 APR 1994
CHECKED DC DATE 22 APR 1994

THIS DRAWING IS THE PROPERTY OF VIKING PUMP INC. AND IS PROPRIETARY IN GENERAL AND DETAIL. IT SHALL NOT BE COPIED OR ITS CONTENTS REVEALED TO OUTSIDE PARTIES WITHOUT THE WRITTEN CONSENT OF VIKING PUMP INC.

VIKING PUMP
VIKING PUMP, INC.
A Unit of IDEX Corporation
Cedar Falls, Iowa 50613
U.S.A.

DRAWING NO.
LV-3488

REV. B
10 JAN 2001