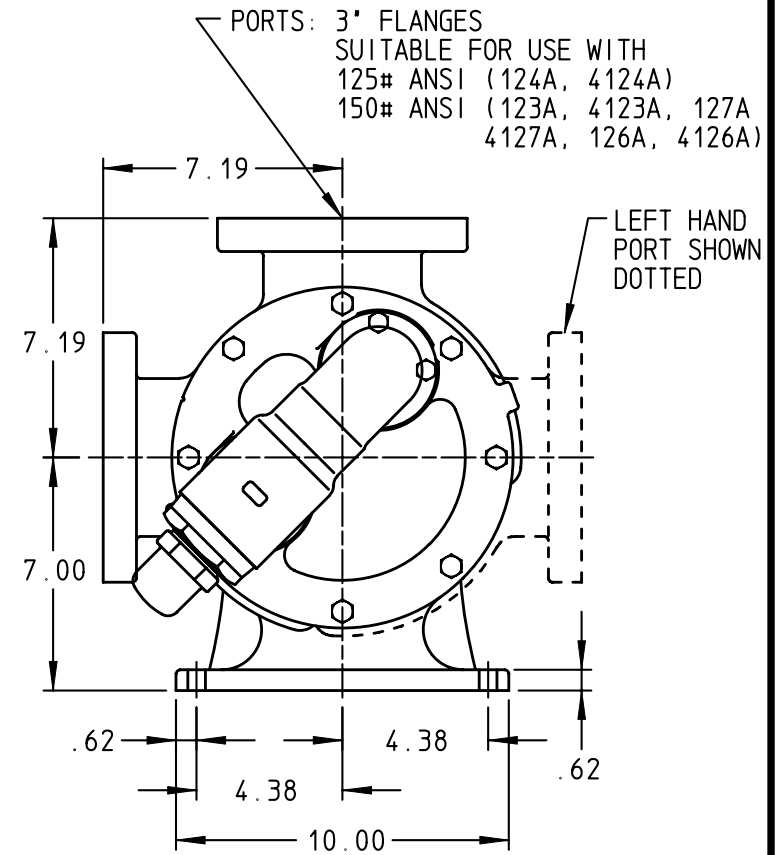
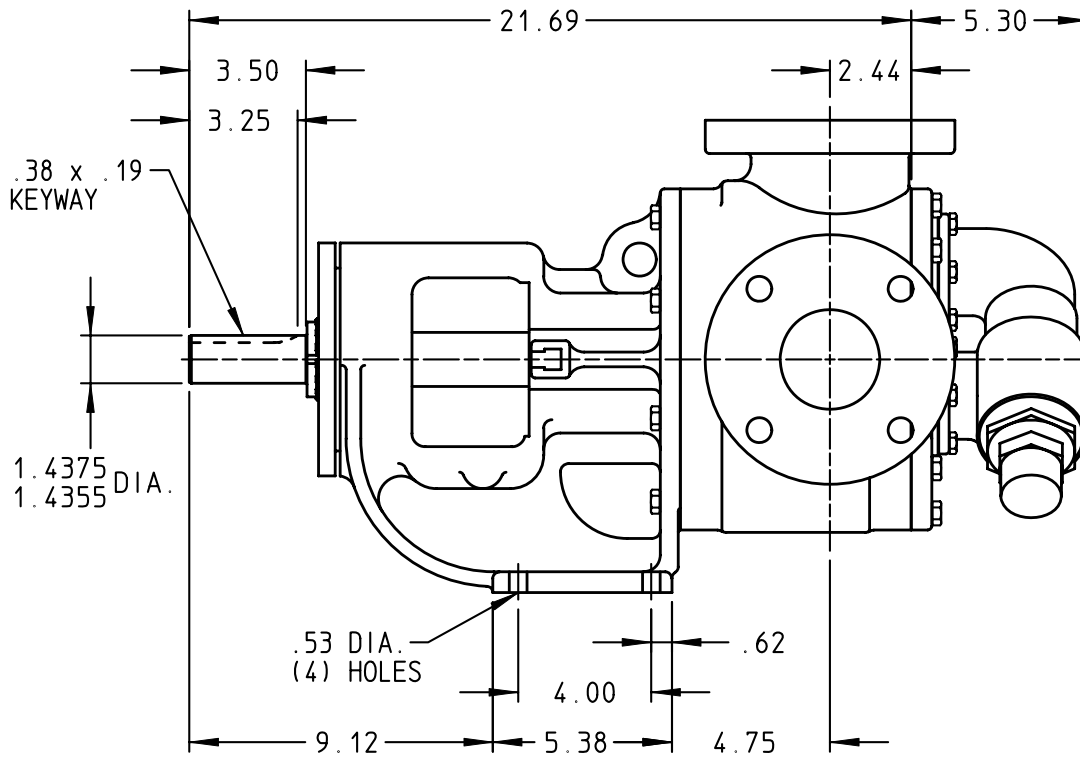
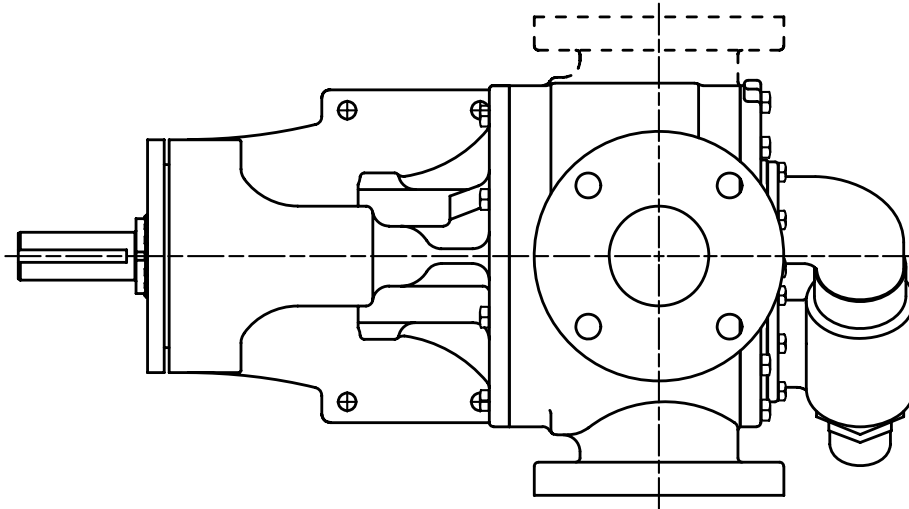


DRAWING NO.  
LV-3388



STANDARD MODELS: LS124A, LS4124A, LS123A, LS4123A, LS127A, LS4127A, LS126A, LS4126A

DRAWN JAKEL DATE 12 MAR 1991  
CHECKED DC DATE 12 MAR 1991

THIS DRAWING IS THE PROPERTY OF VIKING PUMP INC. AND IS PROPRIETARY IN GENERAL AND DETAIL. IT SHALL NOT BE COPIED OR ITS CONTENTS REVEALED TO OUTSIDE PARTIES WITHOUT THE WRITTEN CONSENT OF VIKING PUMP INC.



VIKING PUMP, INC.  
A Unit of IDEX Corporation  
Cedar Falls, Iowa 50613  
U.S.A.

DRAWING NO.  
LV-3388

REV. E  
16 MAY 2007