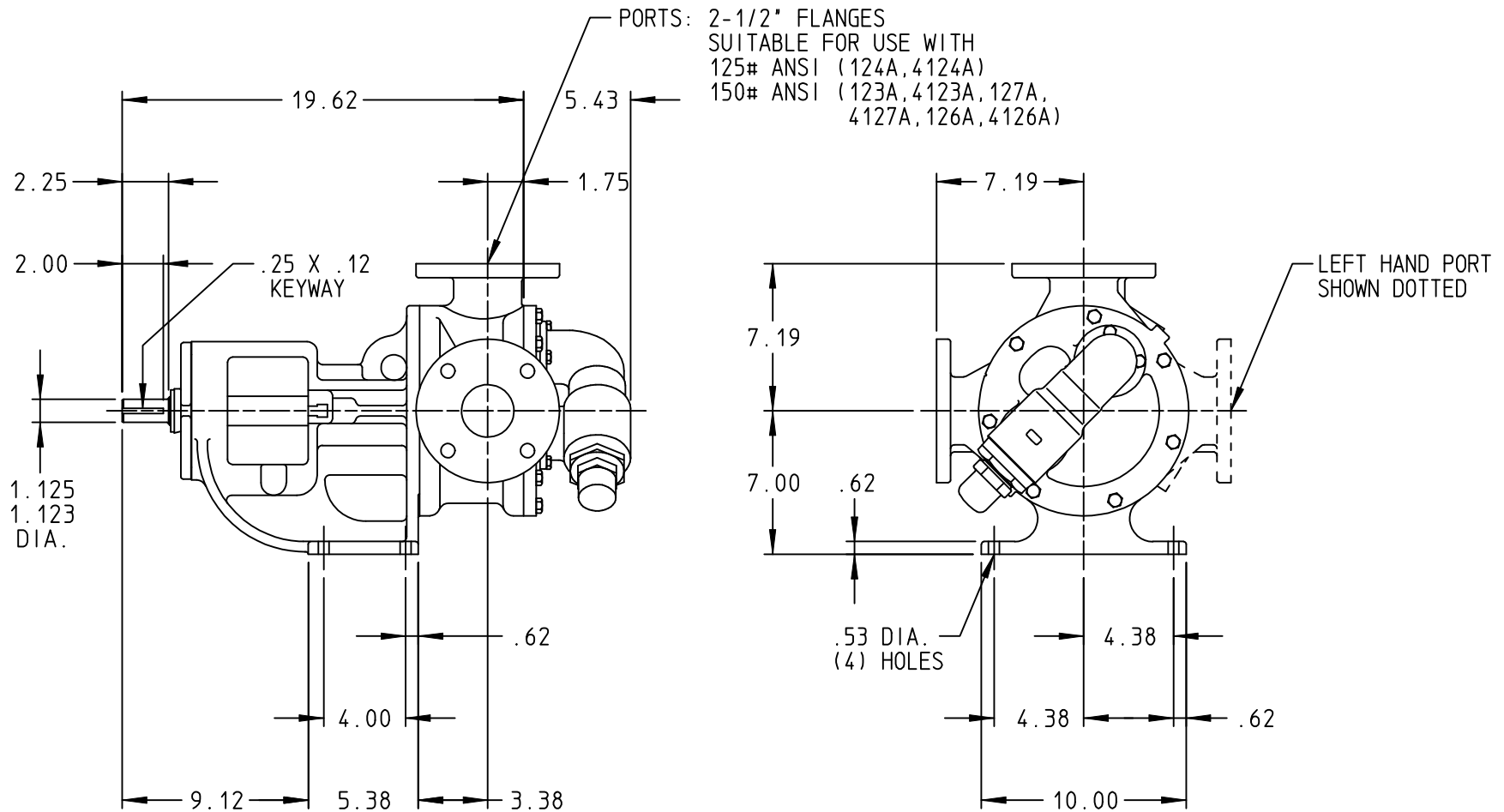


DRAWING NO.
LV-3375



STANDARD MODELS: LQ124A, LQ4124A, LQ123A, LQ4123A, LQ126A, LQ4126A, LQ127A, LQ4127A

DRAWN JAKEL DATE 25 APR 1990
CHECKED DC DATE 25 APR 1990

THIS DRAWING IS THE PROPERTY OF VIKING PUMP
INC. AND IS PROPRIETARY IN GENERAL AND DETAIL.
IT SHALL NOT BE COPIED OR ITS CONTENTS
REVEALED TO OUTSIDE PARTIES WITHOUT THE
WRITTEN CONSENT OF VIKING PUMP INC.

**VIKING
PUMP**

VIKING PUMP, INC.
A Unit of IDEX Corporation
Cedar Falls, Iowa 50613
U.S.A.

DRAWING NO.
LV-3375

REV. D
27 SEP 2000