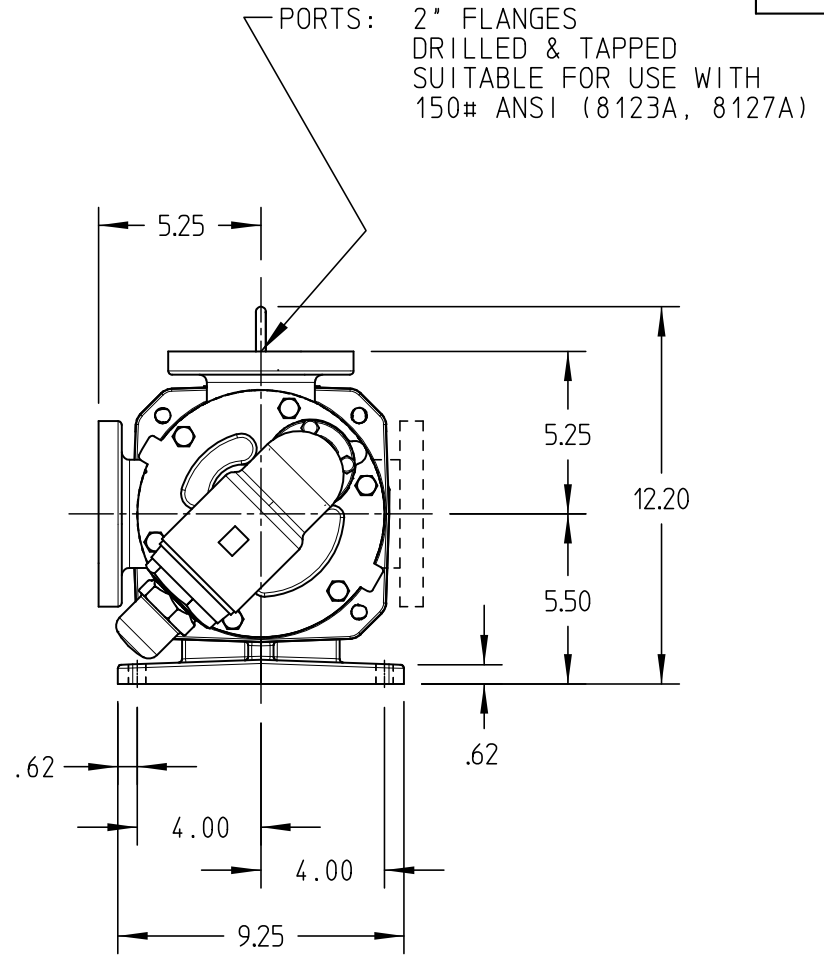
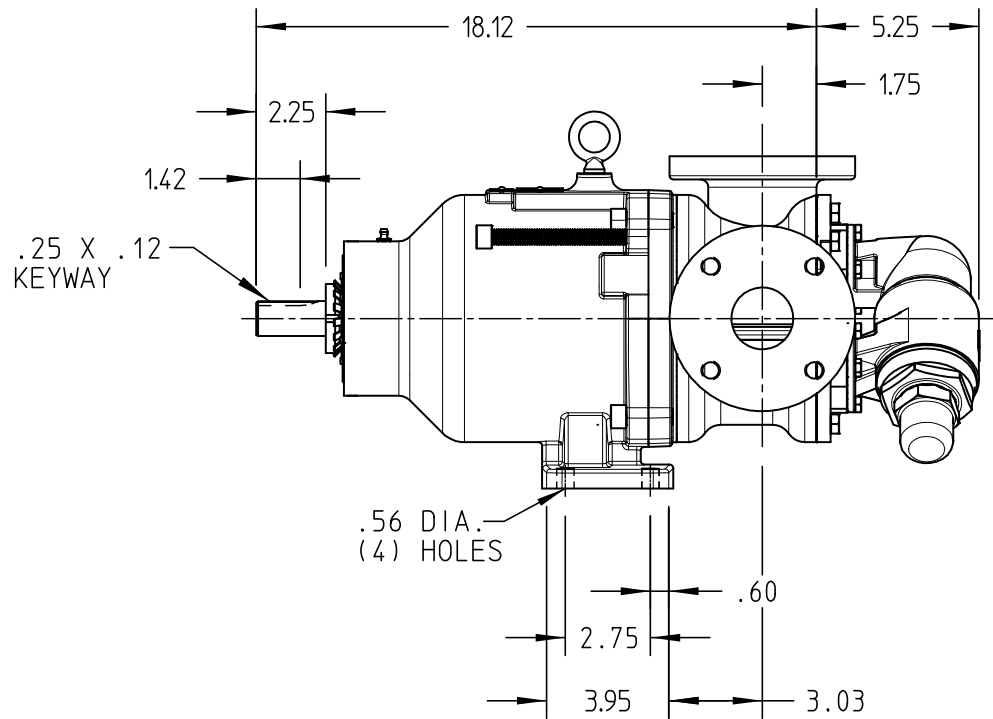
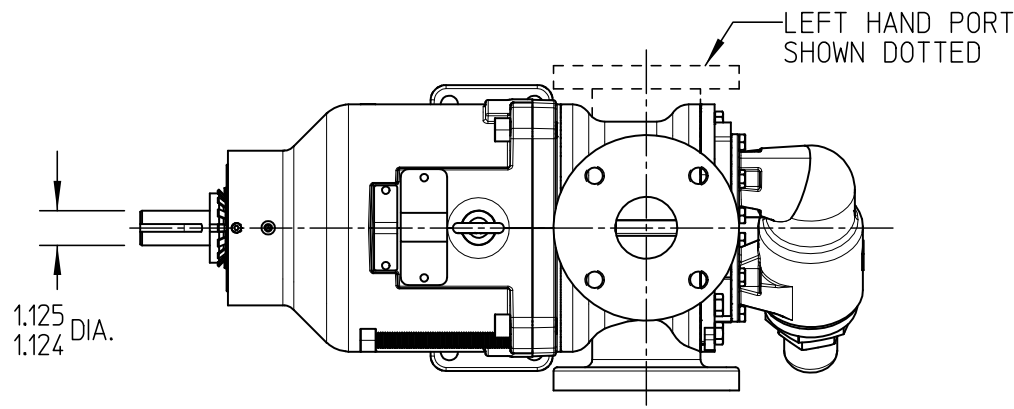


DRAWING NO.
KV-2319



STANDARD MODELS: KK8123A, KK8127A, K8123A, K8127A

DRAWN MILLER, S DATE 31 OCT 2007
CHECKED SMM DATE 06 NOV 2007

THIS DRAWING IS THE PROPERTY OF VIKING PUMP INC. AND IS PROPRIETARY IN GENERAL AND DETAIL. IT SHALL NOT BE COPIED OR ITS CONTENTS REVEALED TO OUTSIDE PARTIES WITHOUT THE WRITTEN CONSENT OF VIKING PUMP INC.



VIKING PUMP, INC.
A Unit of IDEX Corporation
Cedar Falls, Iowa 50613
U.S.A.

DRAWING NO.
KV-2319

REV. D
07 MAR 2008