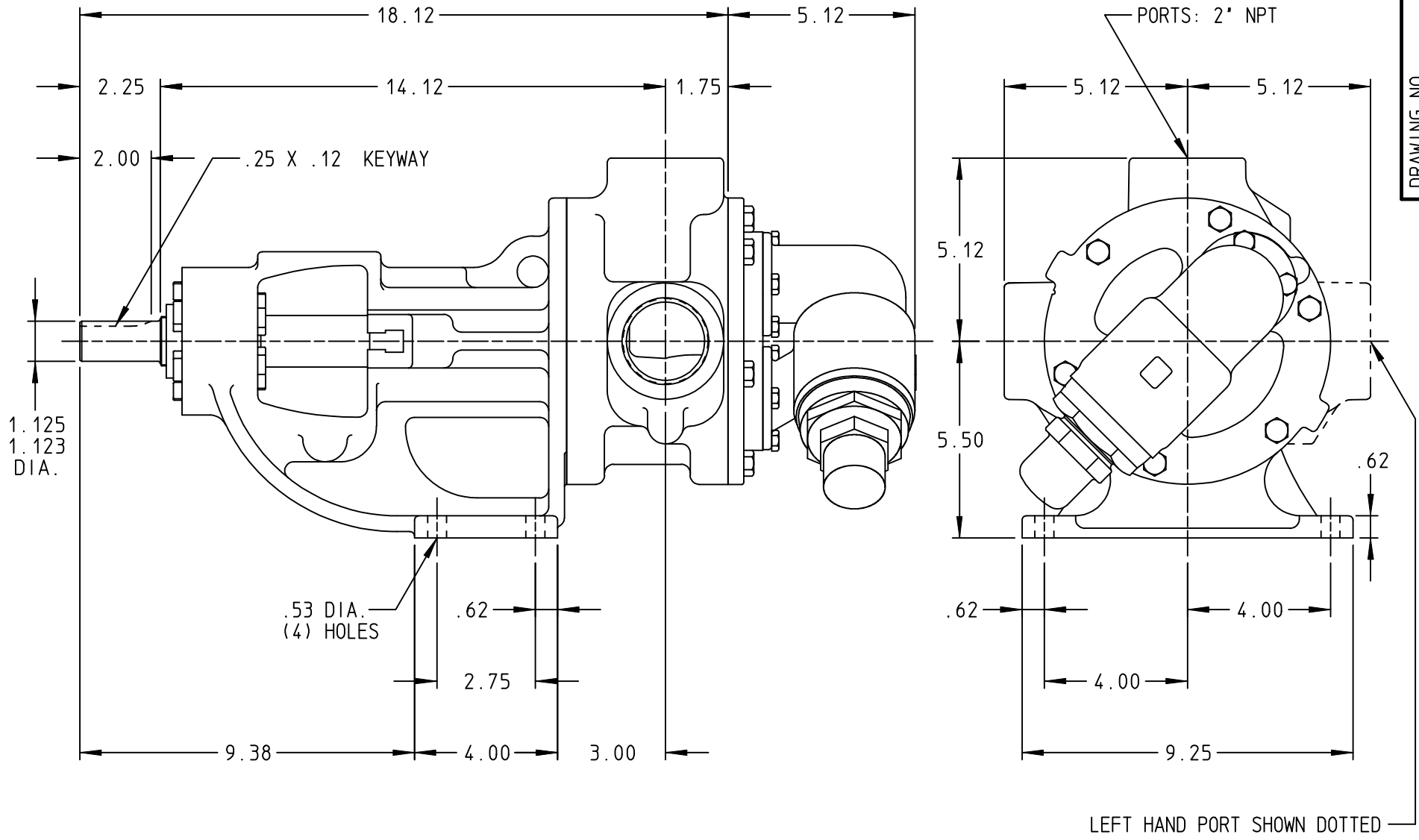


DRAWING NO.  
KV-2165



STANDARD MODELS: K125, K4125, KK125, KK4125, K4625, KK4625

DRAWN RICH M DATE 03 NOV 1999  
CHECKED DC DATE 03 NOV 1999

THIS DRAWING IS THE PROPERTY OF VIKING PUMP INC. AND IS PROPRIETARY IN GENERAL AND DETAIL. IT SHALL NOT BE COPIED OR ITS CONTENTS REVEALED TO OUTSIDE PARTIES WITHOUT THE WRITTEN CONSENT OF VIKING PUMP INC.

**VIKING PUMP**  
VIKING PUMP, INC.  
A Unit of IDEX Corporation  
Cedar Falls, Iowa 50613  
U.S.A.

DRAWING NO.  
KV-2165

REV. B  
09 JAN 2001