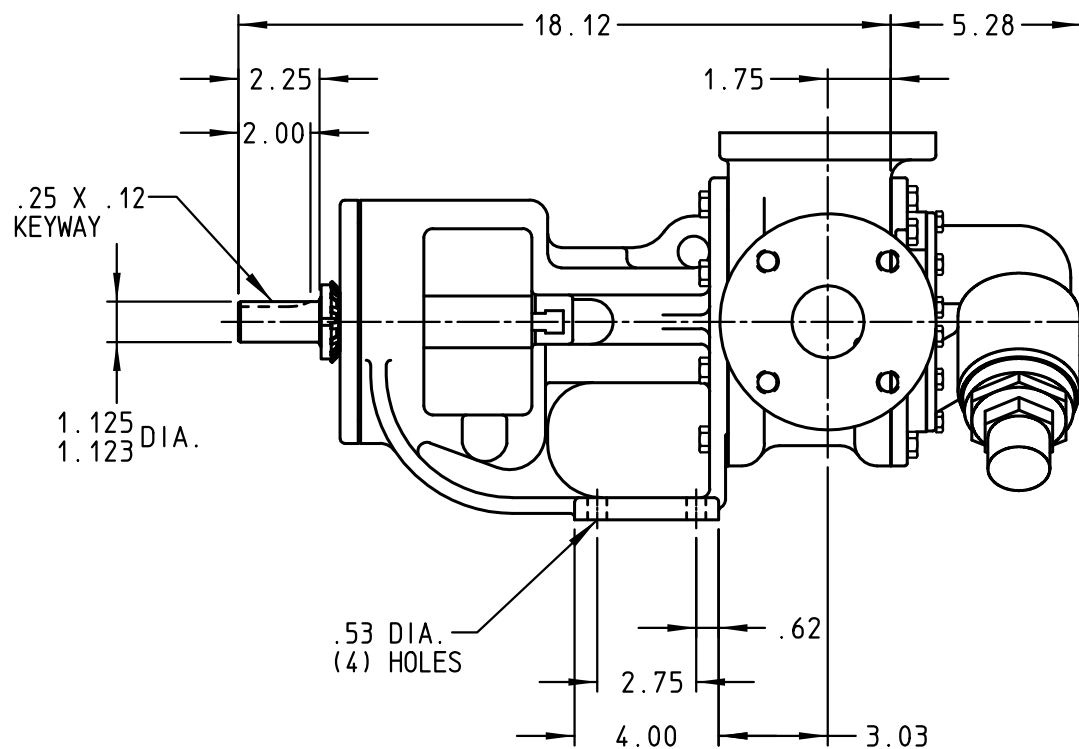
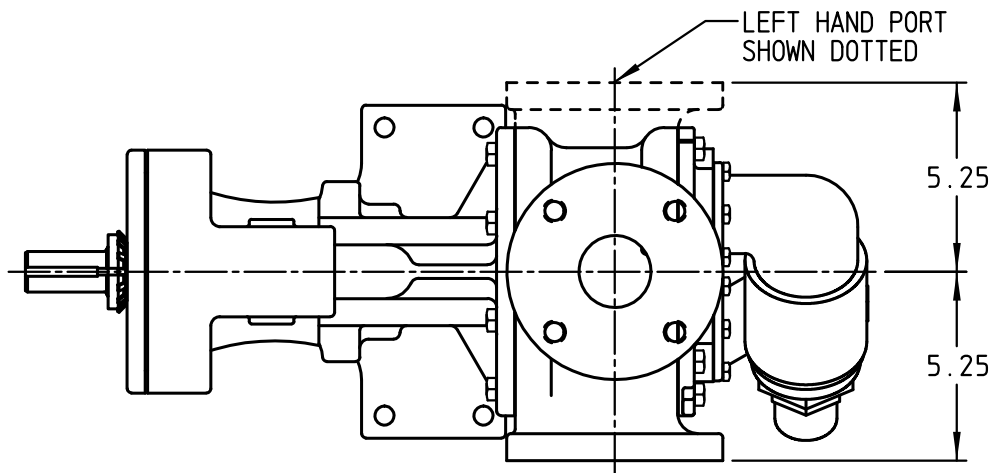
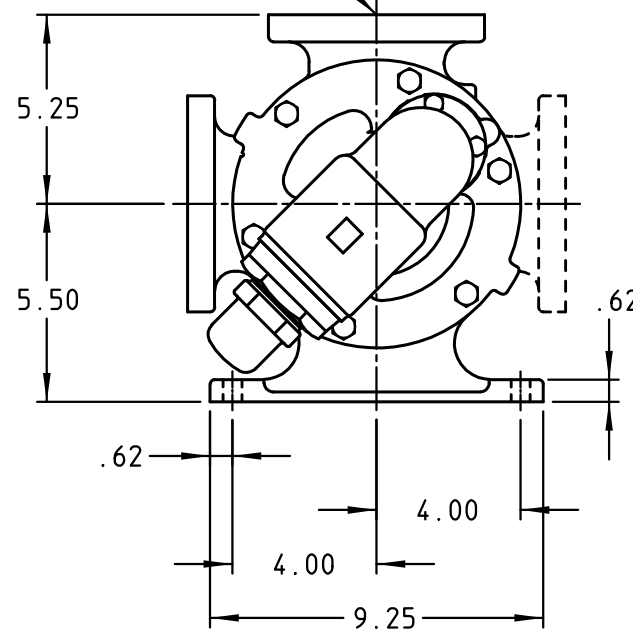


DRAWING NO.
KV-2021



PORTS: 2" FLANGES WITH STUDS AND NUTS (NOT SHOWN) SUITABLE FOR USE WITH 125# ANSI (124A, 4124A, 4124B) 150# ANSI (126A, 4126A, 123A, 4123A, 127A, 4127A)



STANDARD MODELS: K123A, K4123A, KK123A, KK4123A, K127A, K4127A, KK127A, KK4127A

MODELS WITH OPTIONAL FLANGED PORTS: K124A, K4124A, KK124A, KK4124A, K126A, K4126A, KK126A, KK4126A, K4124B, KK4124B

DRAWN DANN DATE 18 JAN 1995
CHECKED BY _____ DATE 19 JAN 1995

THIS DRAWING IS THE PROPERTY OF VIKING PUMP INC. AND IS PROPRIETARY IN GENERAL AND DETAIL. IT SHALL NOT BE COPIED OR ITS CONTENTS REVEALED TO OUTSIDE PARTIES WITHOUT THE WRITTEN CONSENT OF VIKING PUMP INC.

VIKING PUMP

VIKING PUMP, INC.
A Unit of IDEX Corporation
Cedar Falls, Iowa 50613
U.S.A.

DRAWING NO.
KV-2021

REV. G
07 FEB 2008