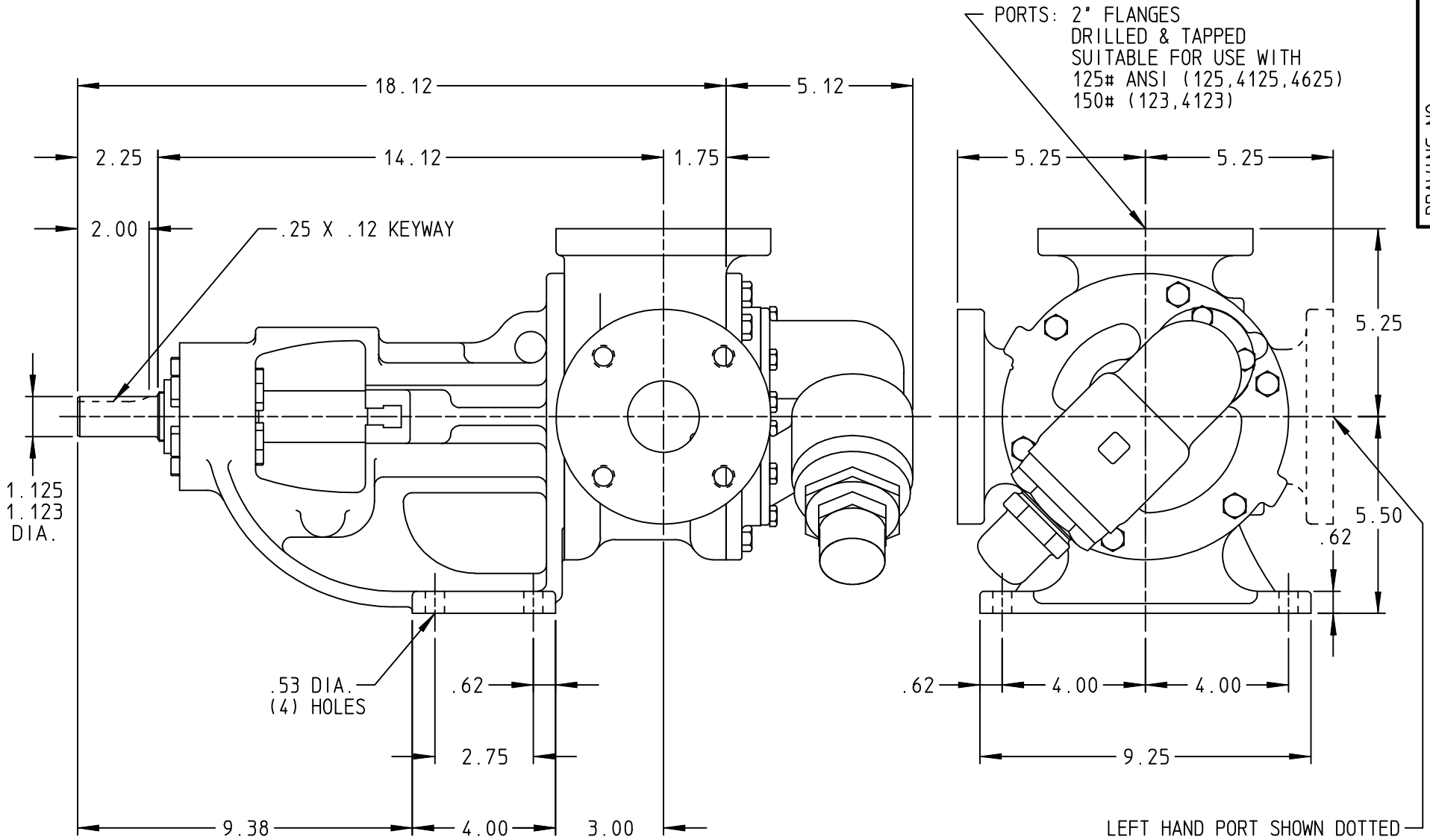


DRAWING NO.
KV-2005



STANDARD MODELS: K123, K4123, KK123, KK4123
 MODELS WITH OPTIONAL FLANGED PORTS: K125, K4125, KK125, KK4125, K4625, KK4625

DRAWN JAKEL DATE 22 APR 1994
 CHECKED DC DATE 27 APR 1994

THIS DRAWING IS THE PROPERTY OF VIKING PUMP
 INC. AND IS PROPRIETARY IN GENERAL AND DETAIL.
 IT SHALL NOT BE COPIED OR ITS CONTENTS
 REVEALED TO OUTSIDE PARTIES WITHOUT THE
 WRITTEN CONSENT OF VIKING PUMP INC.

**VIKING
PUMP**

VIKING PUMP, INC.
 A Unit of IDEX Corporation
 Cedar Falls, Iowa 50613
 U.S.A.

DRAWING NO.
KV-2005

REV. B
19 JAN 2001