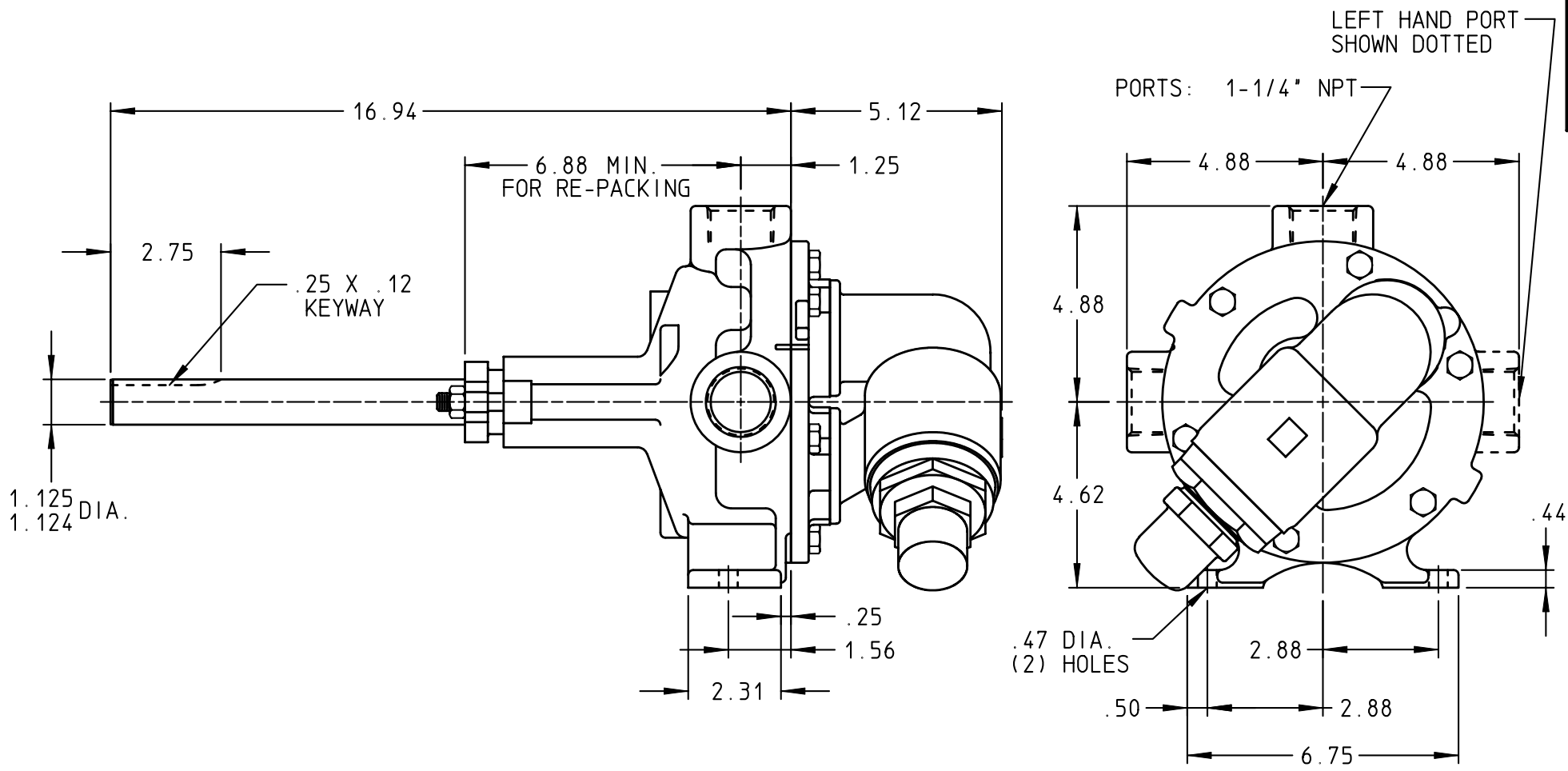


DRAWING NO.
JV-345



STANDARD MODELS: J32

DRAWN REUTHER DATE 20 JUN 2000
 CHECKED DRS DATE 04 OCT 2000

THIS DRAWING IS THE PROPERTY OF VIKING PUMP INC. AND IS PROPRIETARY IN GENERAL AND DETAIL. IT SHALL NOT BE COPIED OR ITS CONTENTS REVEALED TO OUTSIDE PARTIES WITHOUT THE WRITTEN CONSENT OF VIKING PUMP INC.

VIKING PUMP
 VIKING PUMP, INC.
 A Unit of IDEX Corporation
 Cedar Falls, Iowa 50613
 U.S.A.

DRAWING NO.
JV-345

REV. A
20 JUN 2000