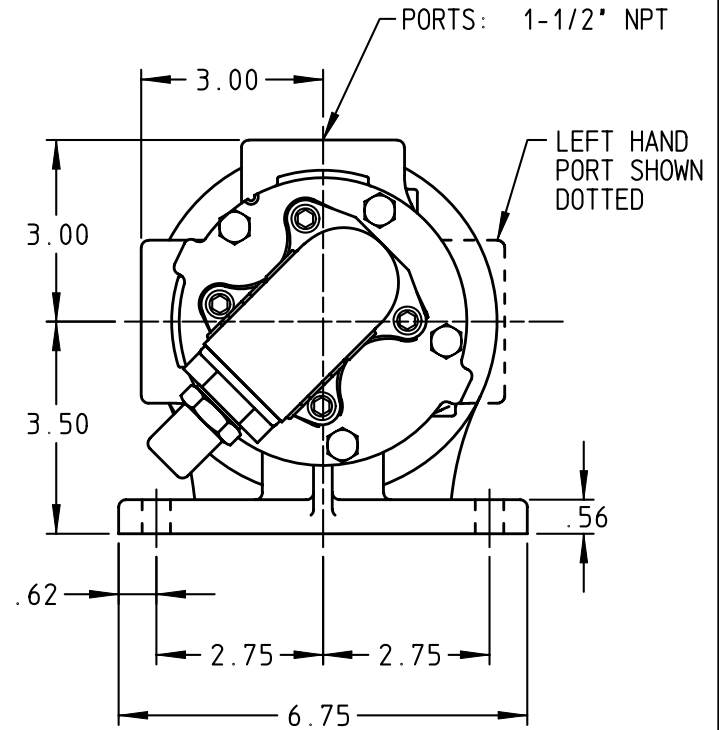
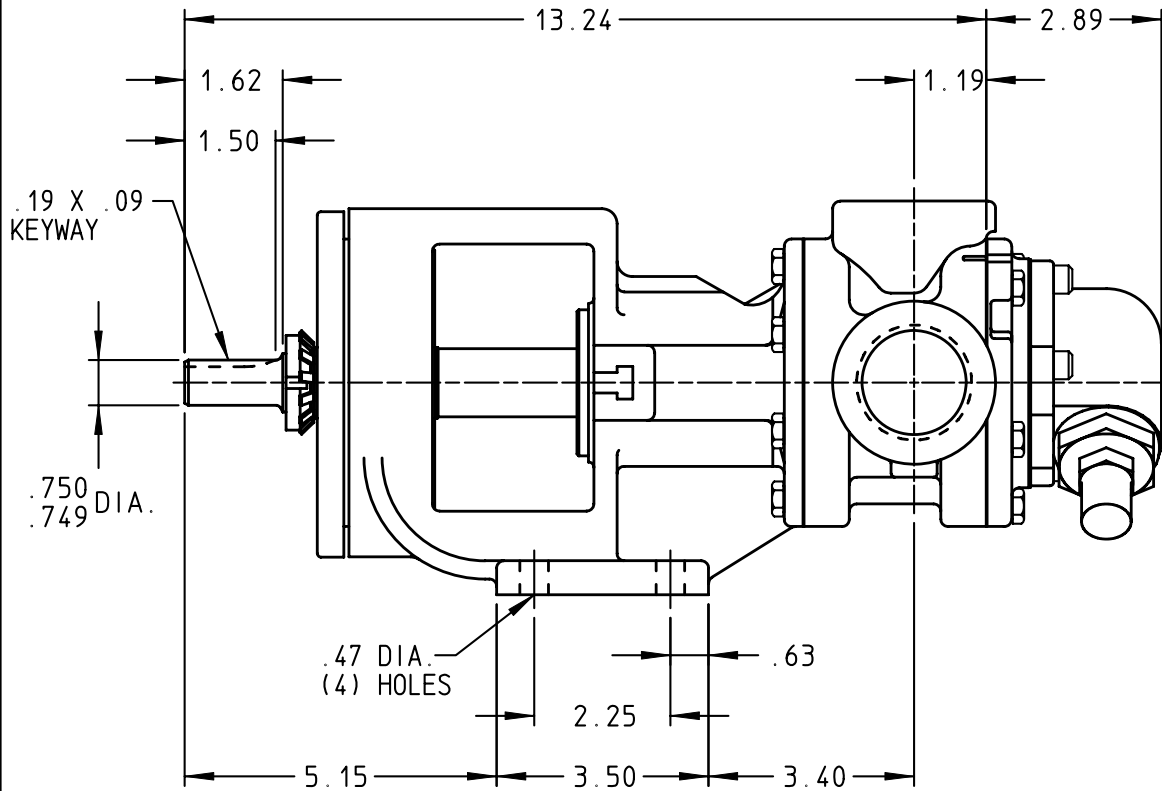
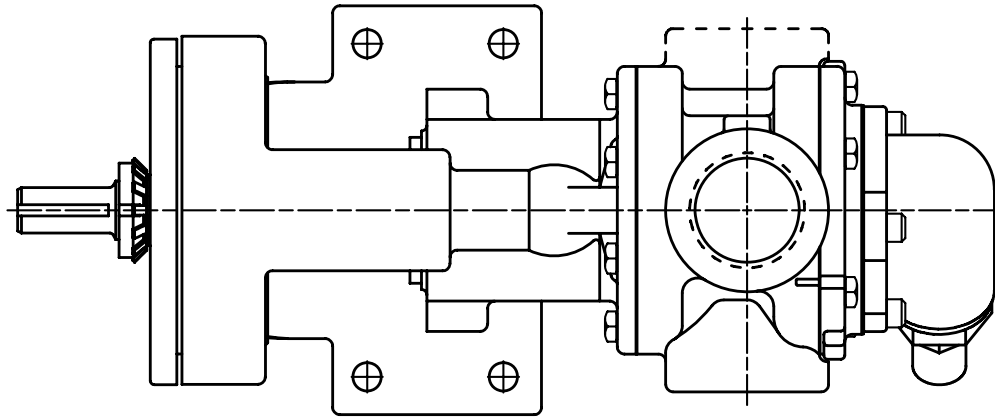


DRAWING NO.
HV-3640



STANDARD MODELS: H124A, H4124A, H4124B, HL124A, HL4124A, HL4124B, H126A, H4126A, HL126A, HL4126A

DRAWN KROGMANN DATE 16 MAY 2007
 CHECKED MRC DATE 16 MAY 2007

THIS DRAWING IS THE PROPERTY OF VIKING PUMP INC. AND IS PROPRIETARY IN GENERAL AND DETAIL. IT SHALL NOT BE COPIED OR ITS CONTENTS REVEALED TO OUTSIDE PARTIES WITHOUT THE WRITTEN CONSENT OF VIKING PUMP INC.



VIKING PUMP, INC.
 A Unit of IDEX Corporation
 Cedar Falls, Iowa 50613
 U.S.A.

DRAWING NO.
HV-3640

REV. B
 16 MAY 2007