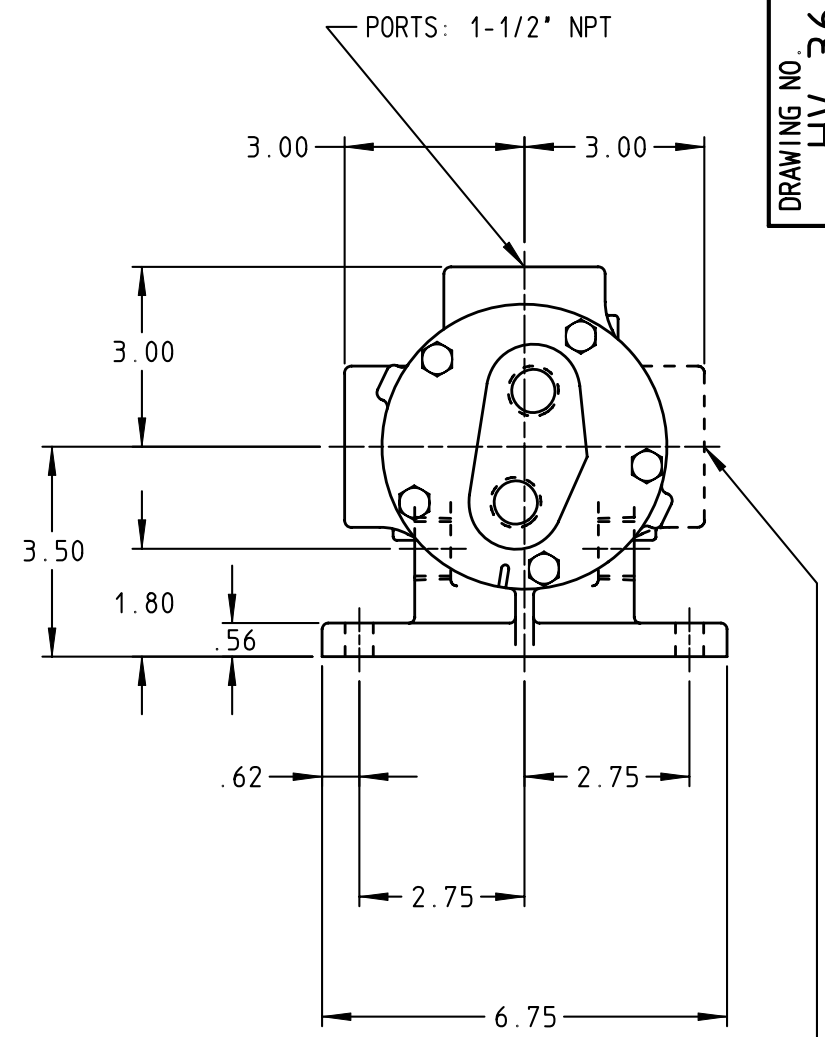
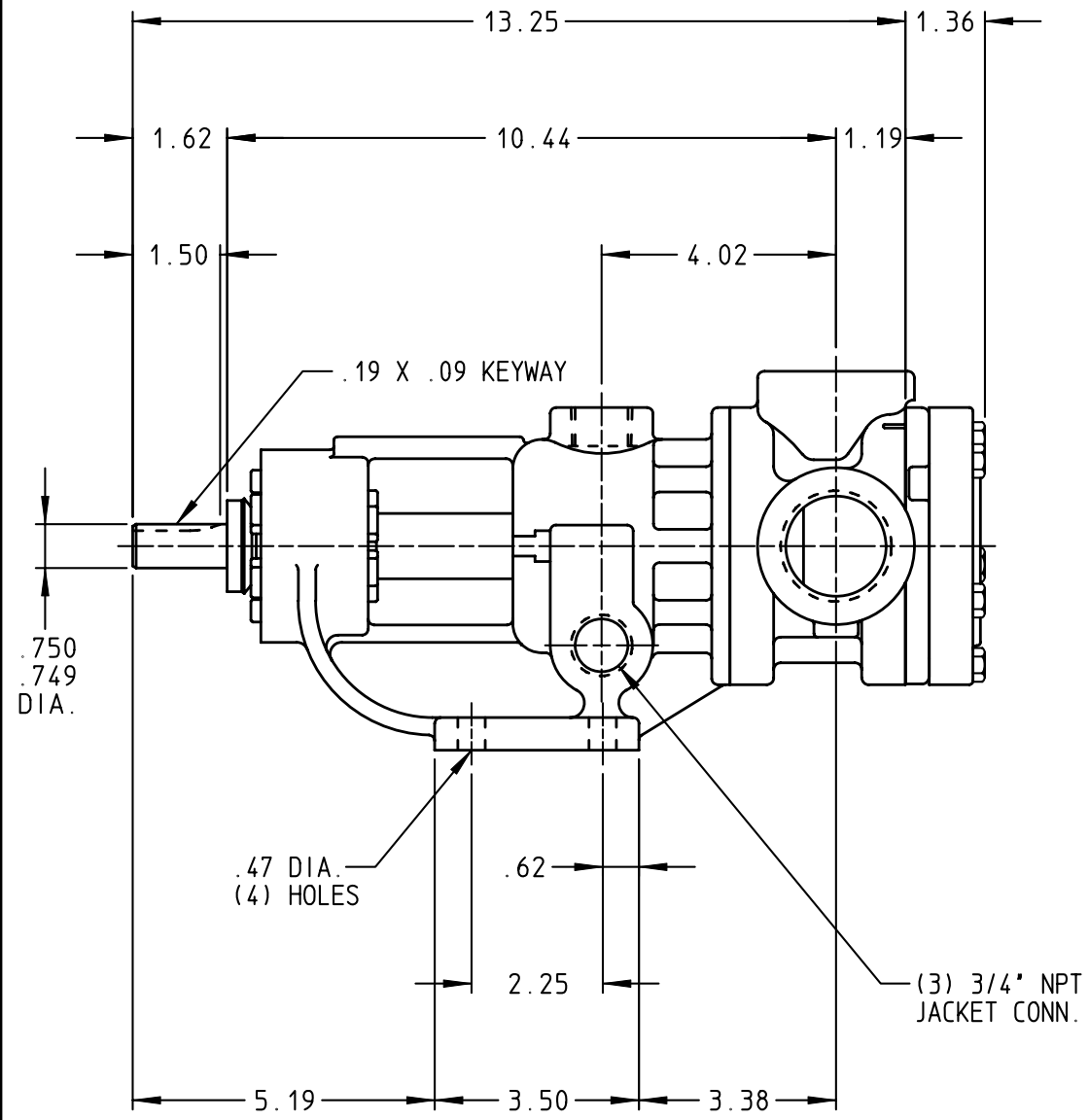


DRAWING NO.  
HV-3634



LEFT HAND PORT SHOWN DOTTED

STANDARD MODELS: H225, H4225, HL225, HL4225

DRAWN CHAPIN DATE 25 SEP 2006  
CHECKED CJI DATE 26 SEP 2006

THIS DRAWING IS THE PROPERTY OF VIKING PUMP INC. AND IS PROPRIETARY IN GENERAL AND DETAIL. IT SHALL NOT BE COPIED OR ITS CONTENTS REVEALED TO OUTSIDE PARTIES WITHOUT THE WRITTEN CONSENT OF VIKING PUMP INC.

**VIKING PUMP**  
VIKING PUMP, INC.  
A Unit of IDEX Corporation  
Cedar Falls, Iowa 50613  
U.S.A.

DRAWING NO.  
HV-3634

REV. A  
25 SEP 2006