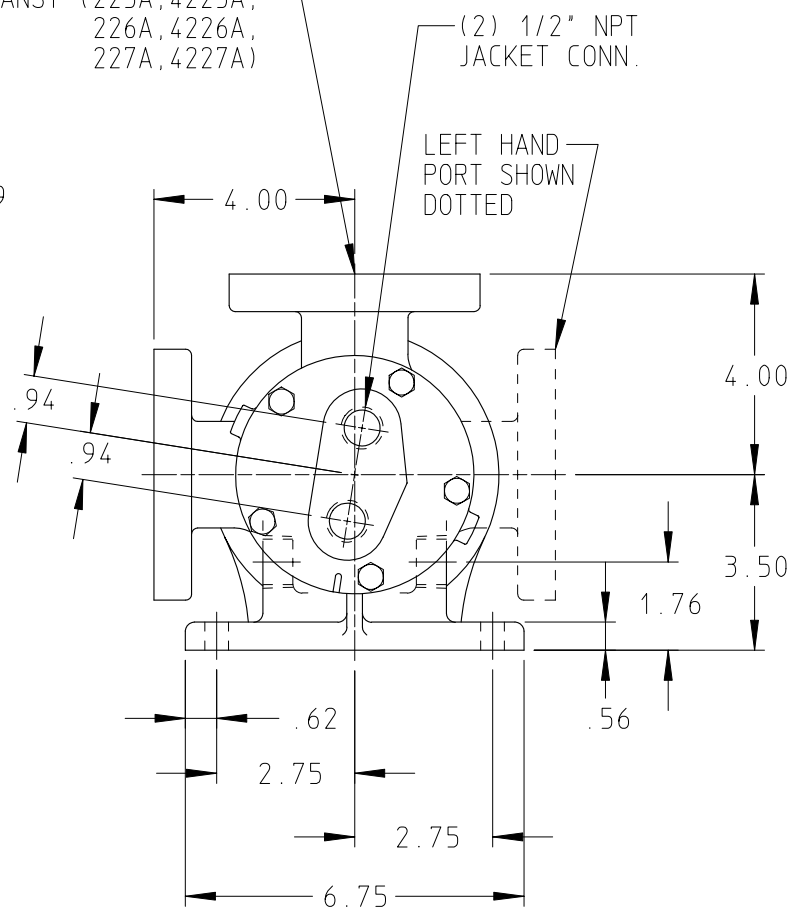
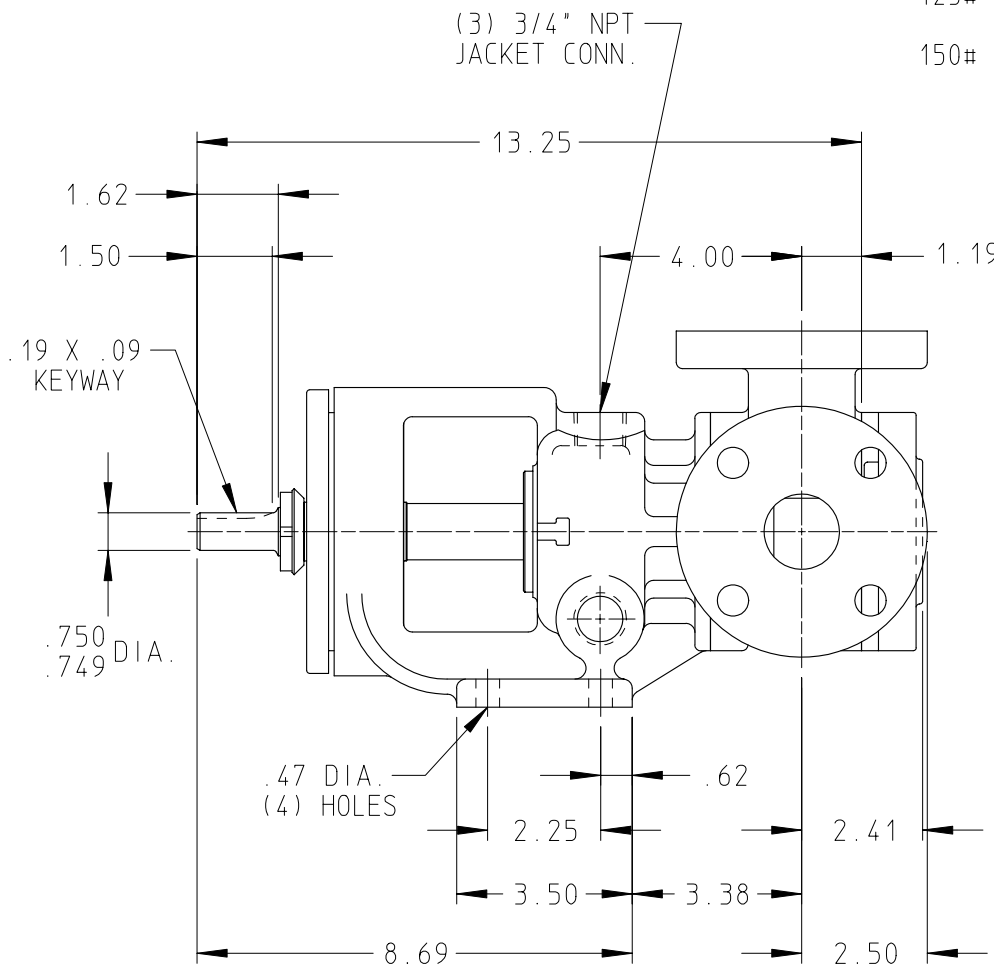


DRAWING NO.  
HV-3282

PORTS: 1-1/2" FLANGES  
SUITABLE FOR USE WITH  
125# ANSI (224A, 4224A,  
4224B)  
150# ANSI (223A, 4223A,  
226A, 4226A,  
227A, 4227A)



STANDARD MODELS: H223A, H4223A, HL223A, HL4223A, H227A, H4227A, HL227A, HL4227A  
 MODELS WITH OPTIONAL FLANGED PORTS: H224A, H4224A, H4224B, HL224A, HL4224A, HL4224B, H226A, H4226A, HL226A, HL4226A

DRAWN DANN DATE 18 DEC 1997  
 CHECKED DC DATE 18 DEC 1997

THIS DRAWING IS THE PROPERTY OF VIKING PUMP INC. AND IS PROPRIETARY IN GENERAL AND DETAIL. IT SHALL NOT BE COPIED OR ITS CONTENTS REVEALED TO OUTSIDE PARTIES WITHOUT THE WRITTEN CONSENT OF VIKING PUMP INC.

**VIKING PUMP**  
 VIKING PUMP, INC.  
 A Unit of IDEX Corporation  
 Cedar Falls, Iowa 50613  
 U.S.A.

DRAWING NO.  
**HV-3282**

REV. D  
 26 SEP 2003