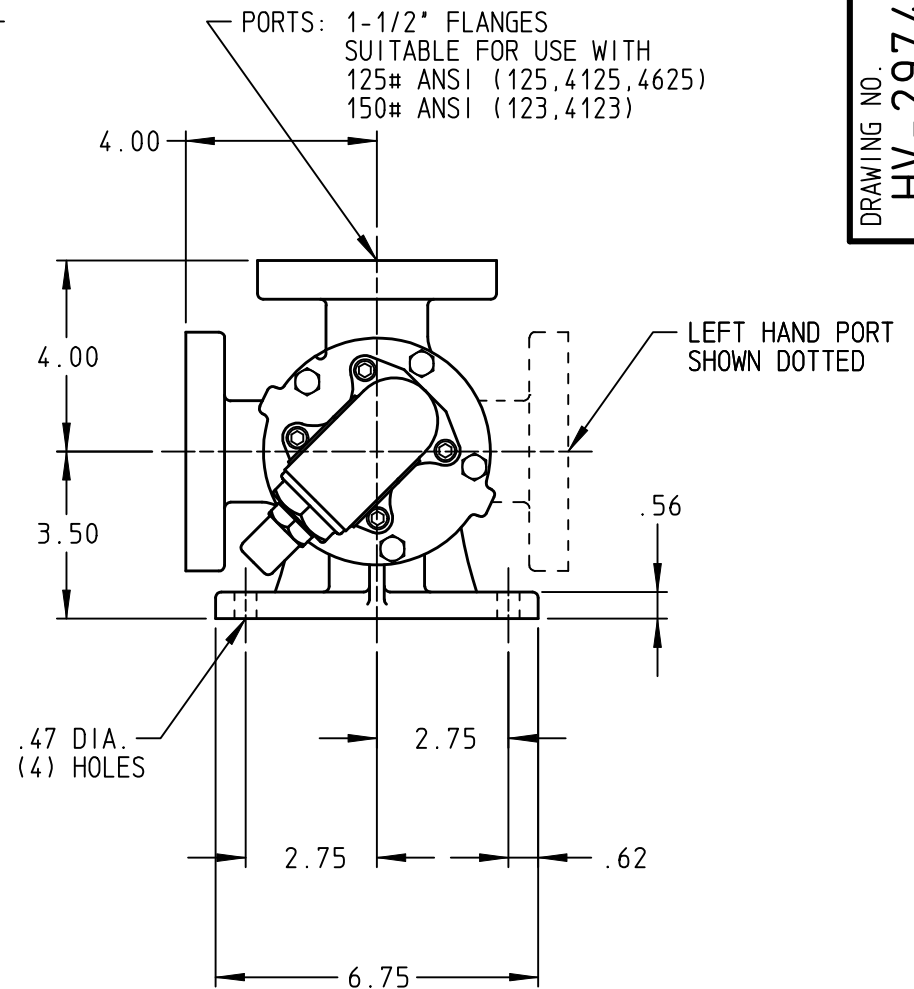
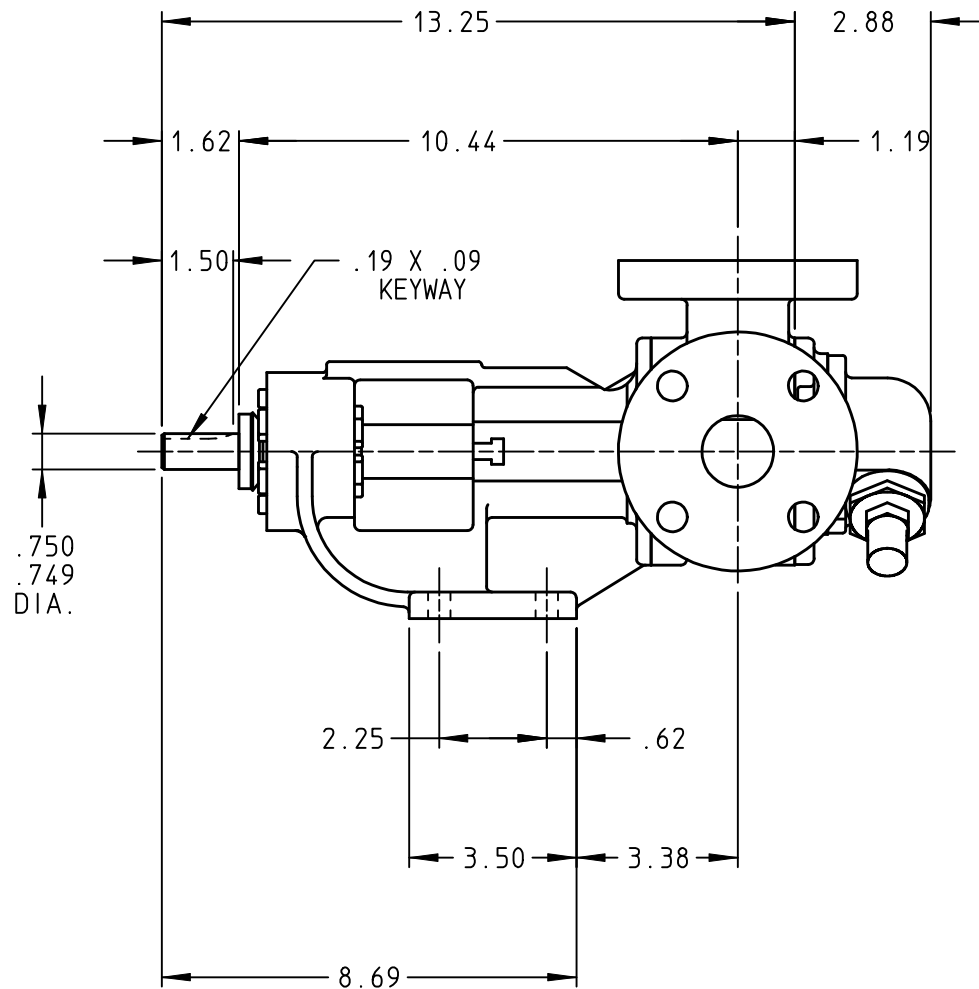


DRAWING NO.
HV-2974



STANDARD MODELS: H123, H4123, HL123, HL4123

MODELS WITH OPTIONAL FLANGED PORTS: H125, H4125, HL125, HL4125, H4625, HL4625

DRAWN JAKEL DATE 04 NOV 1991
 CHECKED DC DATE 04 NOV 1991

THIS DRAWING IS THE PROPERTY OF VIKING PUMP INC. AND IS PROPRIETARY IN GENERAL AND DETAIL. IT SHALL NOT BE COPIED OR ITS CONTENTS REVEALED TO OUTSIDE PARTIES WITHOUT THE WRITTEN CONSENT OF VIKING PUMP INC.



VIKING PUMP, INC.
 A Unit of IDEX Corporation
 Cedar Falls, Iowa 50613
 U.S.A.

DRAWING NO.
HV-2974

REV. C
 27 SEP 2000