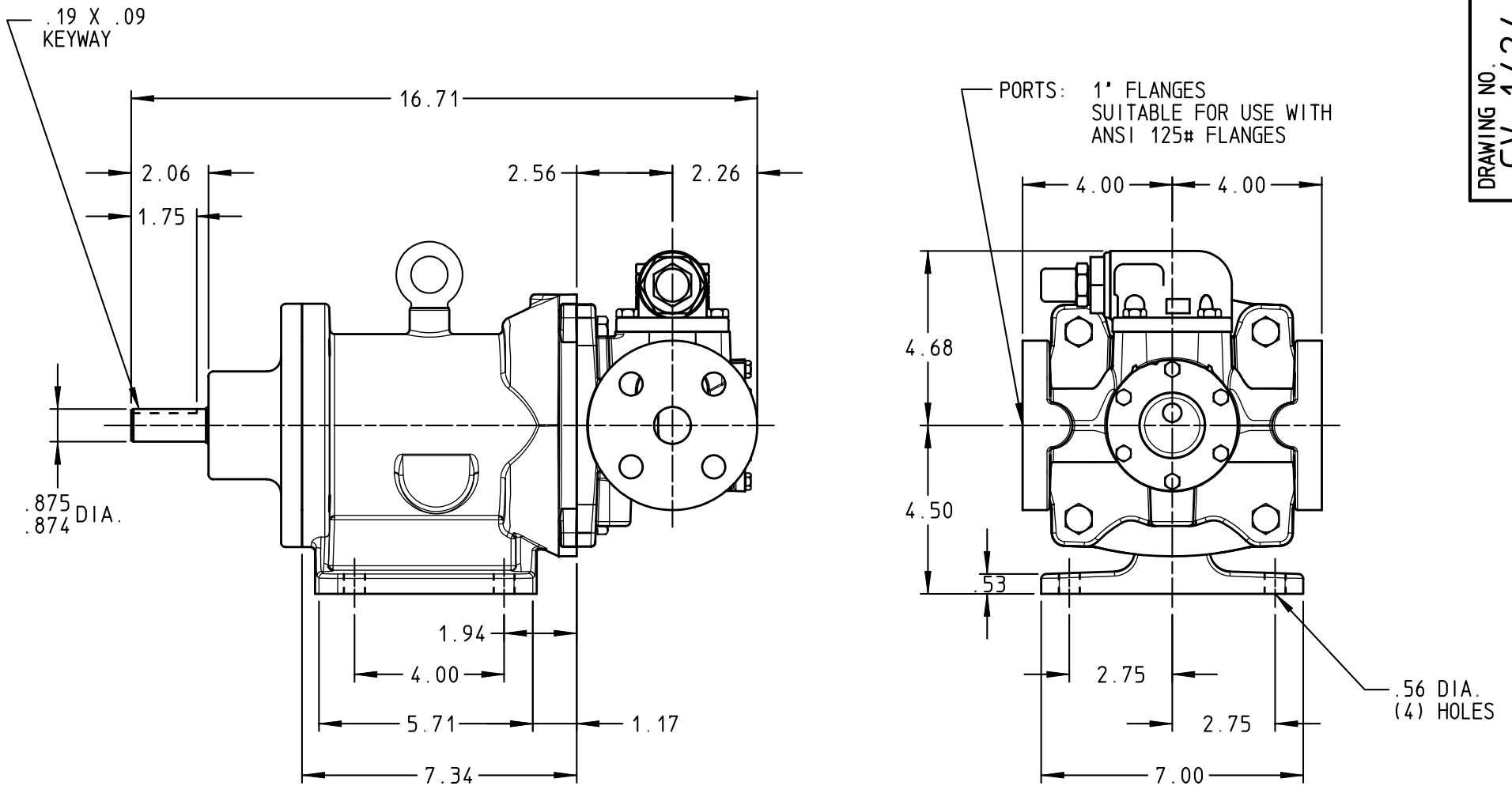


DRAWING NO.  
GV-1424



STANDARD MODELS: GS855-MD2A-B, GG855-MD2A-B

DRAWN REUTHER DATE 26 APR 2005  
 CHECKED IEHL DATE 26 APR 2005

THIS DRAWING IS THE PROPERTY OF VIKING PUMP INC. AND IS PROPRIETARY IN GENERAL AND DETAIL. IT SHALL NOT BE COPIED OR ITS CONTENTS REVEALED TO OUTSIDE PARTIES WITHOUT THE WRITTEN CONSENT OF VIKING PUMP INC.



VIKING PUMP, INC.  
 A Unit of IDEX Corporation  
 Cedar Falls, Iowa 50613  
 U.S.A.

DRAWING NO.  
GV-1424

REV. A  
 26 APR 2005