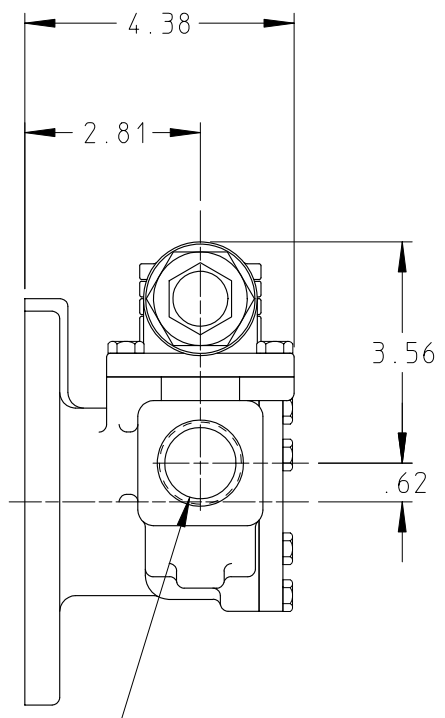
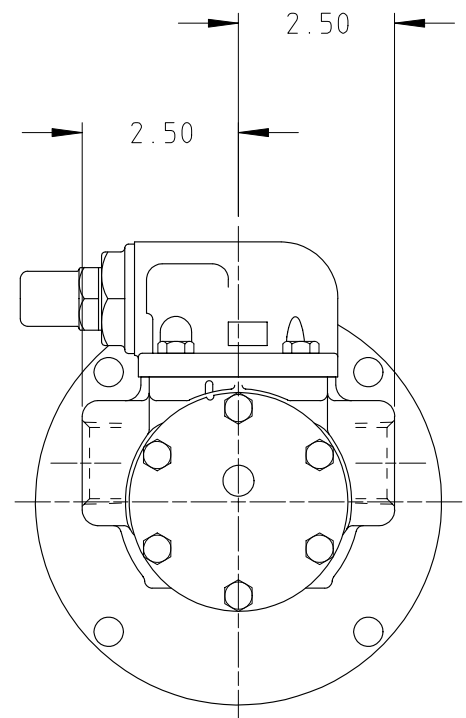


.625 (56C)
.875 (143TC-145TC)
(182C-184C)



PORTS: 1" NPT



MODELS: G75, G475, GG75, GG475

DRAWN DANN DATE 05 OCT 2001
CHECKED DC DATE 08 OCT 2001

THIS DRAWING IS THE PROPERTY OF VIKING PUMP INC. AND IS PROPRIETARY IN GENERAL AND DETAIL. IT SHALL NOT BE COPIED OR ITS CONTENTS REVEALED TO OUTSIDE PARTIES WITHOUT THE WRITTEN CONSENT OF VIKING PUMP INC.



VIKING PUMP, INC.
A Unit of IDEX Corporation
Cedar Falls, Iowa 50613
U.S.A.

DRAWING NO.
GV-1390

REV. B
01 OCT 2003