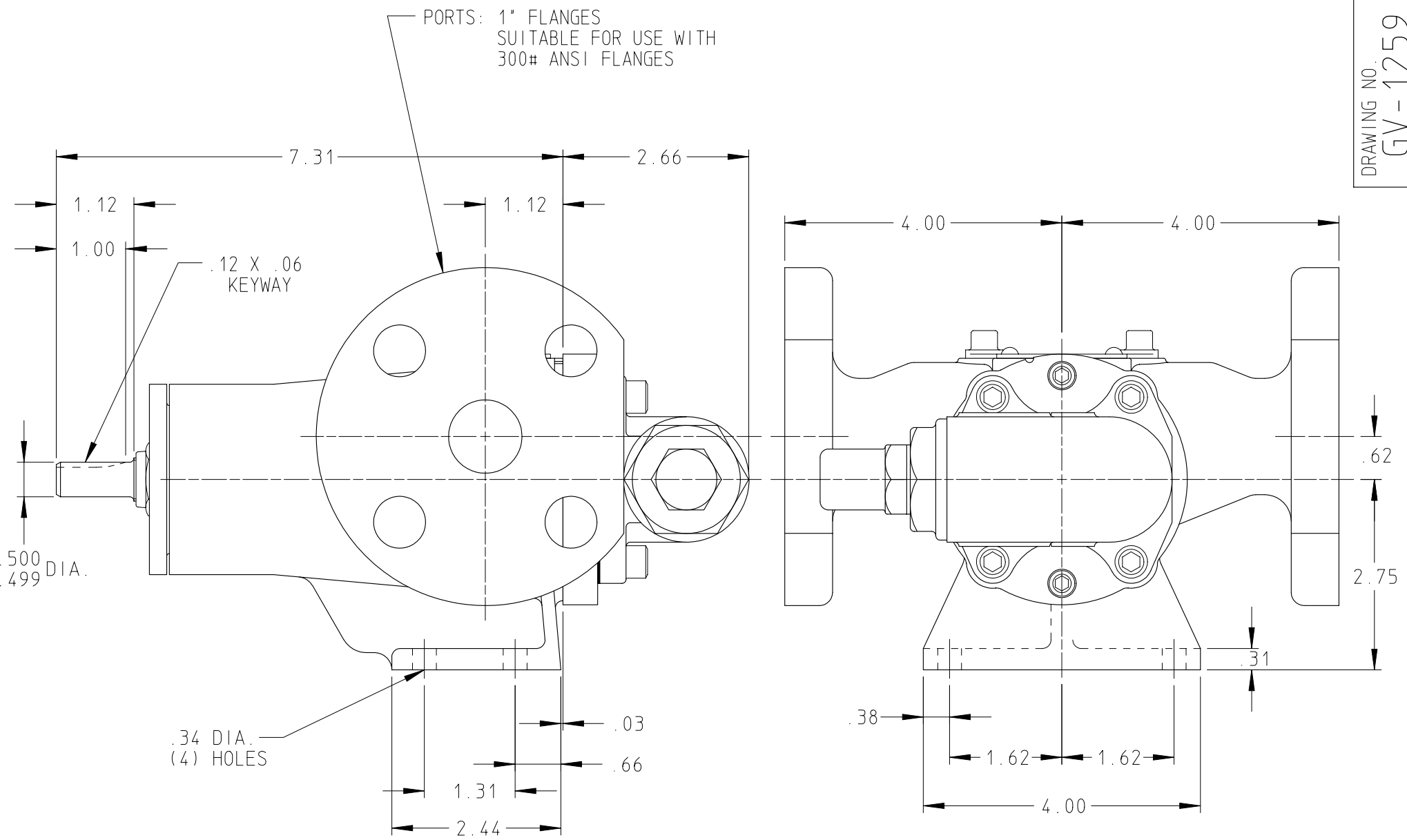


DRAWING NO.
GV-1259



STANDARD MODELS: GG4193

DRAWN JAKEL DATE 05 MAY 94
 CHECKED DC DATE 05 MAY 94

THIS DRAWING IS THE PROPERTY OF VIKING PUMP
 INC. AND IS PROPRIETARY IN GENERAL AND DETAIL.
 IT SHALL NOT BE COPIED OR ITS CONTENTS
 REVEALED TO OUTSIDE PARTIES WITHOUT THE
 WRITTEN CONSENT OF VIKING PUMP INC.

VIKING PUMP
 VIKING PUMP, INC.
 A Unit of IDEX Corporation
 Cedar Falls, Iowa 50613
 U.S.A.

DRAWING NO.
GV-1259

REV. C
 2 OCT 2003