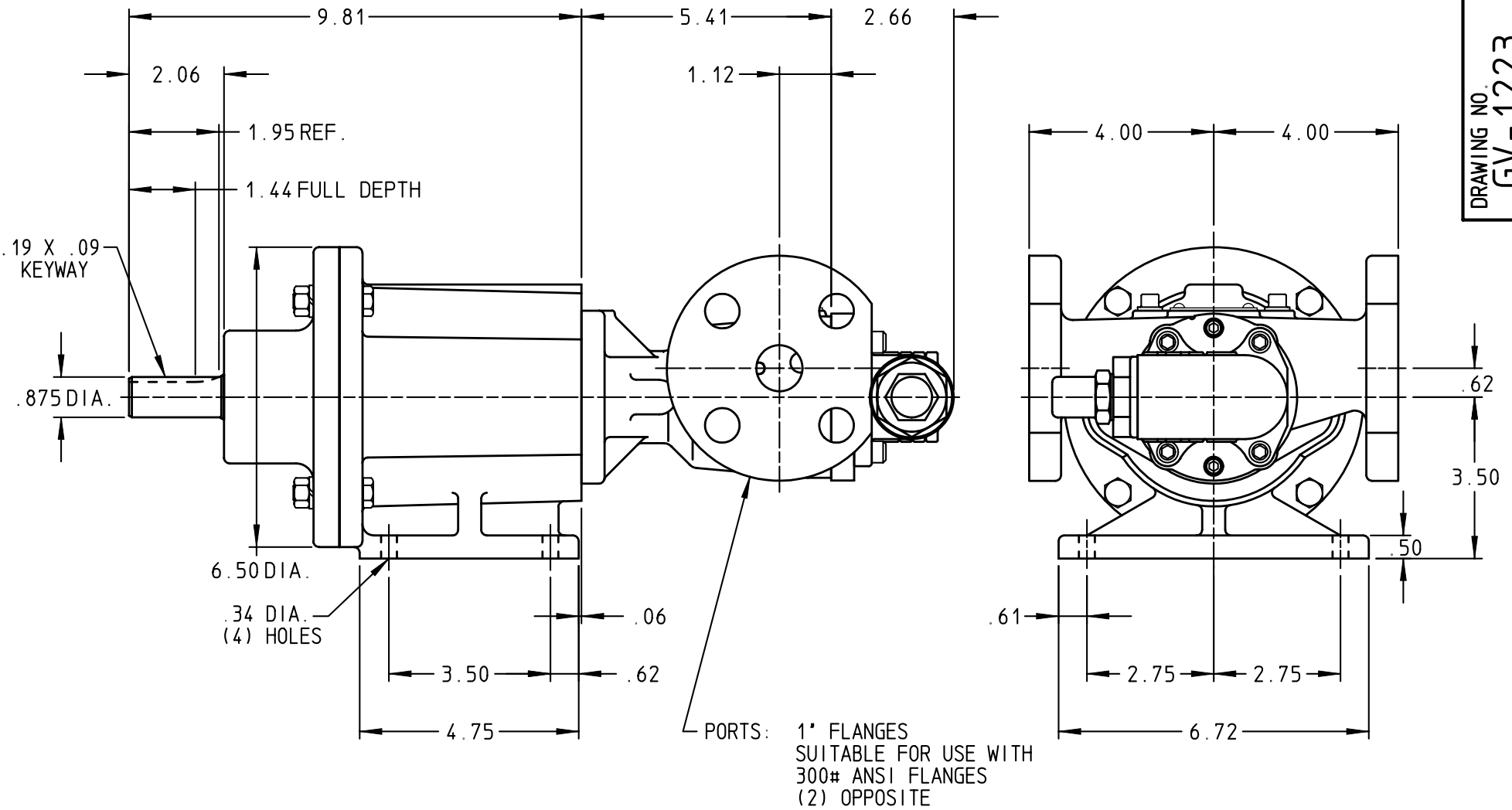


DRAWING NO.
GV-1223



STANDARD MODELS: GG-893-MDA4-B, GG-893-MDA9-B

DRAWN DANN DATE 31 JUL 1991
 CHECKED DC DATE 01 AUG 1991

THIS DRAWING IS THE PROPERTY OF VIKING PUMP INC. AND IS PROPRIETARY IN GENERAL AND DETAIL. IT SHALL NOT BE COPIED OR ITS CONTENTS REVEALED TO OUTSIDE PARTIES WITHOUT THE WRITTEN CONSENT OF VIKING PUMP INC.



VIKING PUMP, INC.
 A Unit of IDEX Corporation
 Cedar Falls, Iowa 50613
 U.S.A.

DRAWING NO.
GV-1223

REV. B
 01 MAR 2005