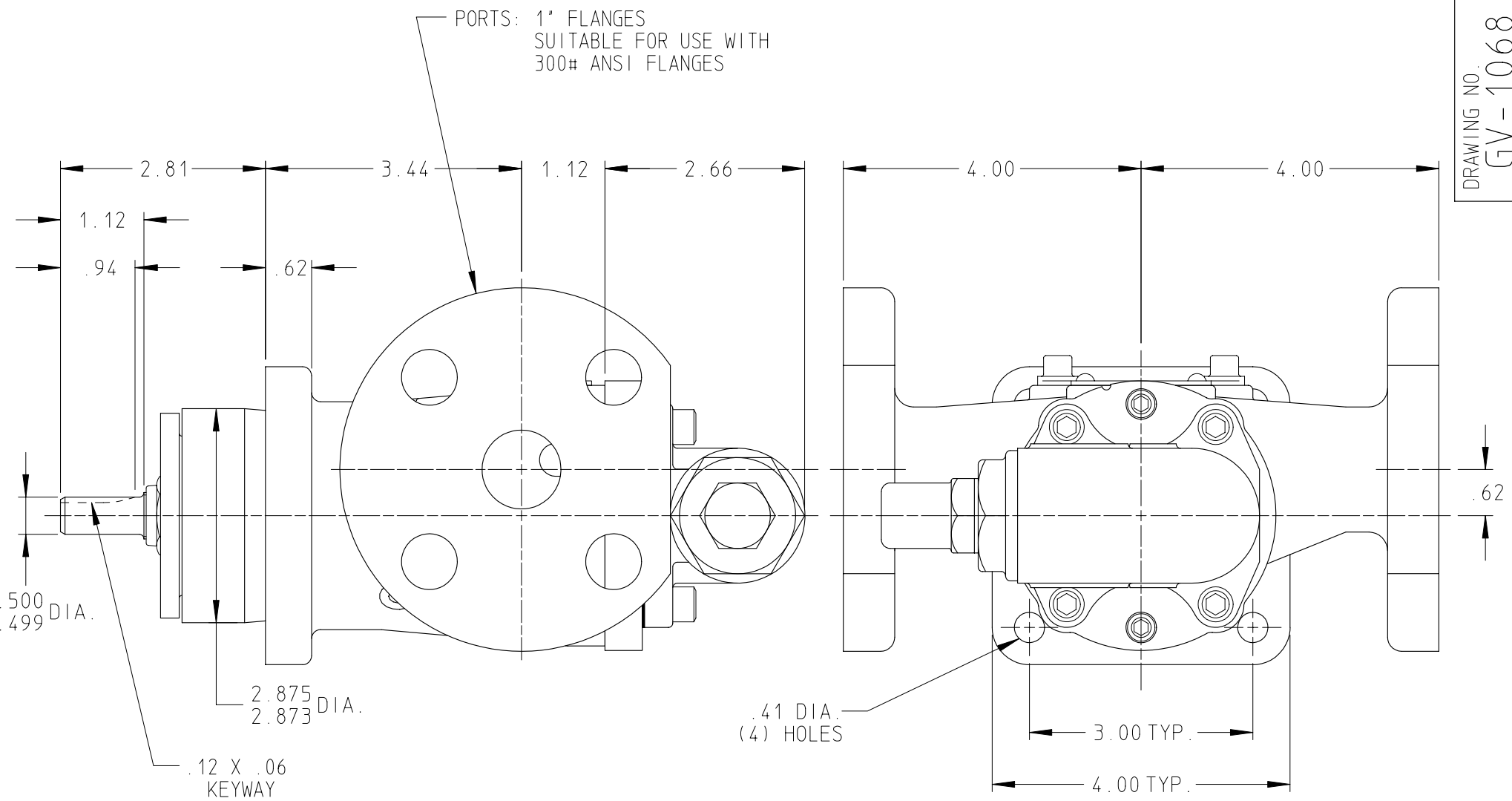


DRAWING NO.
GV-1068



STANDARD MODELS: GG493

DRAWN WUNDERLICH DATE 8 AUG 2003
 CHECKED DRS DATE 8 AUG 2003

THIS DRAWING IS THE PROPERTY OF VIKING PUMP
 INC. AND IS PROPRIETARY IN GENERAL AND DETAIL.
 IT SHALL NOT BE COPIED OR ITS CONTENTS
 REVEALED TO OUTSIDE PARTIES WITHOUT THE
 WRITTEN CONSENT OF VIKING PUMP INC.

VIKING PUMP
 VIKING PUMP, INC.
 A Unit of IDEX Corporation
 Cedar Falls, Iowa 50613
 U.S.A.

DRAWING NO.
GV-1068

REV. B
2 OCT 2003