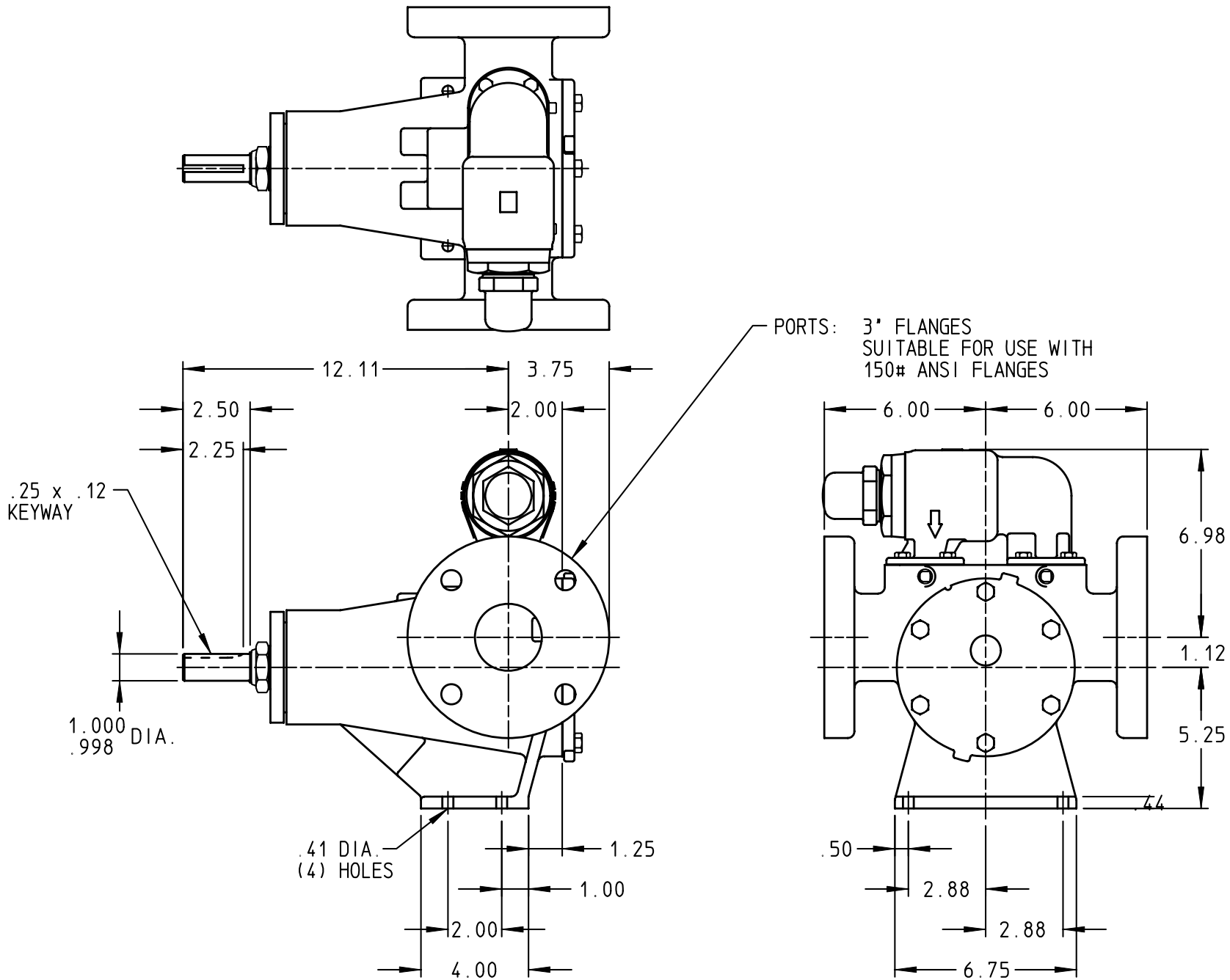


DRAWING NO.
AV-812



STANDARD MODELS: AS4197, AK4197

DRAWN WUNDERLICH DATE 01 AUG 2003
 CHECKED DRS DATE 08 AUG 2003

THIS DRAWING IS THE PROPERTY OF VIKING PUMP INC. AND IS PROPRIETARY IN GENERAL AND DETAIL. IT SHALL NOT BE COPIED OR ITS CONTENTS REVEALED TO OUTSIDE PARTIES WITHOUT THE WRITTEN CONSENT OF VIKING PUMP INC.



VIKING PUMP, INC.
 A Unit of IDEX Corporation
 Cedar Falls, Iowa 50613
 U.S.A.

DRAWING NO.
AV-812

REV. C
 21 MAY 2007